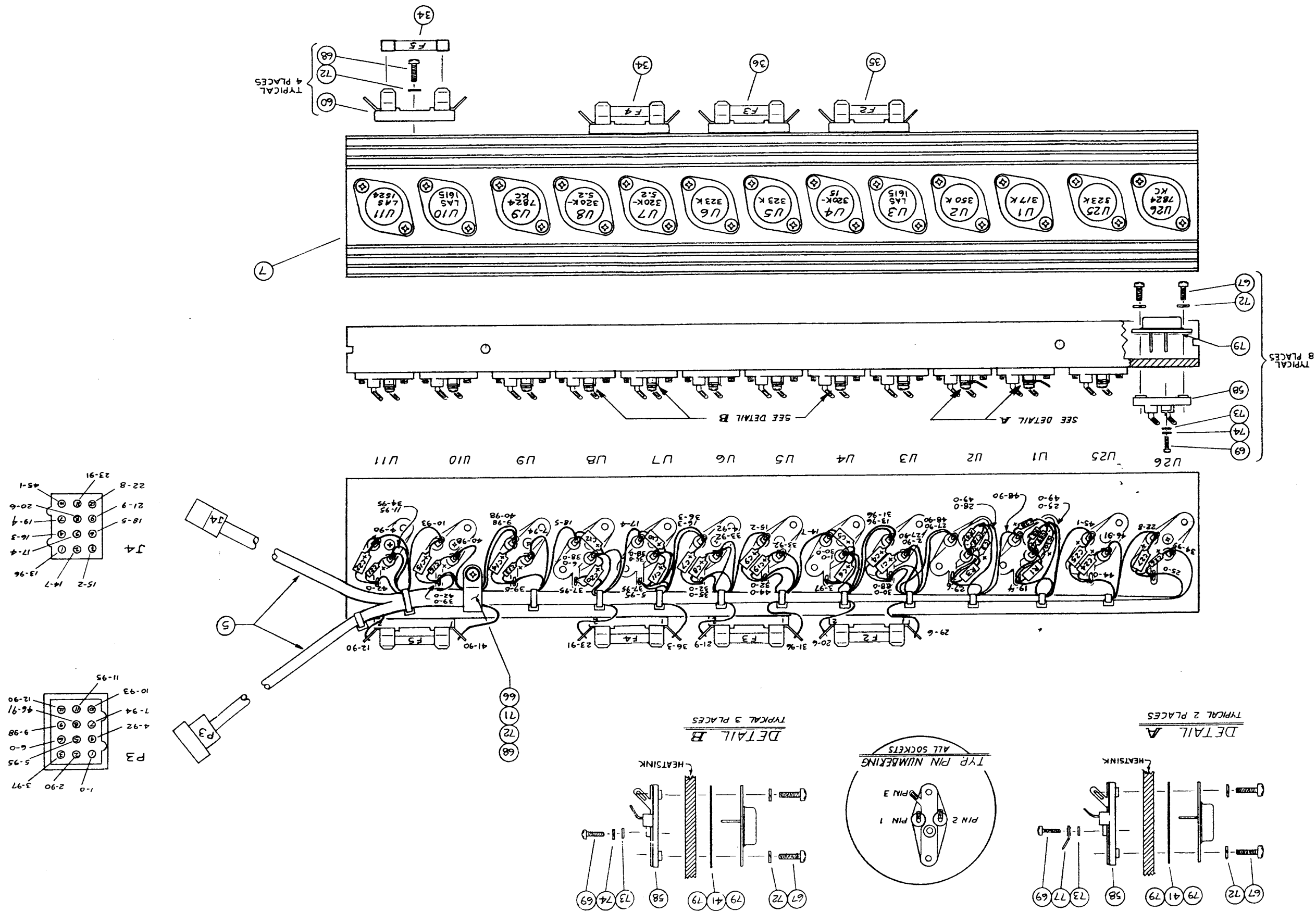


- 21 A35A1J3 — C/C — A3 (O)
- SHIELD — A3 (U)
- 47 A31A2 — C/C — A3 (W)
- SHIELD — A3 (Z)
- 67 A32A1 — C/C — A3 (Y)
- SHIELD — A3 (Z)
- 56 A31A3PM — C/C — A2325
- SHIELD — A2324
- 55 A32A1PM — C/C — A2324
- SHIELD — A2326
- 69 A34A2IF — C/C — A88
- SHIELD — A82

- A1 Heatsink 08319601
- A2 CPU 08316601
- A3 Amplitude Control 08330001
- A4 A35A1J3 — C/C — A3 (O)
- A5 Y1G Oscillator Driver 08317501
- A6 Oscillator Control 08317301
- A7 Frequency Control 08317401
- A8 Fixed L.O. 08319401
- A9 Divide-by-N 08319701
- A10 Reference Synthesizer (0.1 Hz) 08315302
- A11 Reference Synthesizer (0.1 Hz) (1 kHz) 08361902
- A12 100 MHz VCXO 08319301
- A13 Output PLL 08319201
- A14 Reference PLL 08319101
- A15 Display Interface 08316501
- A15A1 Display 08316401
- A16 A-D Multiplexer 08317601
- A19 Sampler Driver 08337901
- A20 Sampler Driver 08337901
- A23 Pulse Modulator Driver 08330101
- A24 Timebase Divider 08317701
- A31 2 - 8 GHz Output Bracket 08320101
- A32 8 - 18 GHz Output Bracket 08320201
- A33 2 - 8 GHz Reference Bracket 08320301
- A34 Downconverter Bracket 08369801
- A35 Output Bracket - (Front) 08320602
- A35A1 Video Amplifier 08365001
- Y1 Timebase Oscillator 123651

Figure 5-1. 1700 Series Subassembly Location
 Drawing (Syston Donner No. 083736)
 5-3/(5-4 blank)

Figure 5-2. Power Supply A1 Heatsink Assembly
(Syston Donner No. 08319601)



NOTES: UNLESS OTHERWISE SPECIFIED
 1. ALL RESISTOR VALUES ARE IN OHMS.
 2. ALL CAPACITOR VALUES ARE IN MICROFARADS.

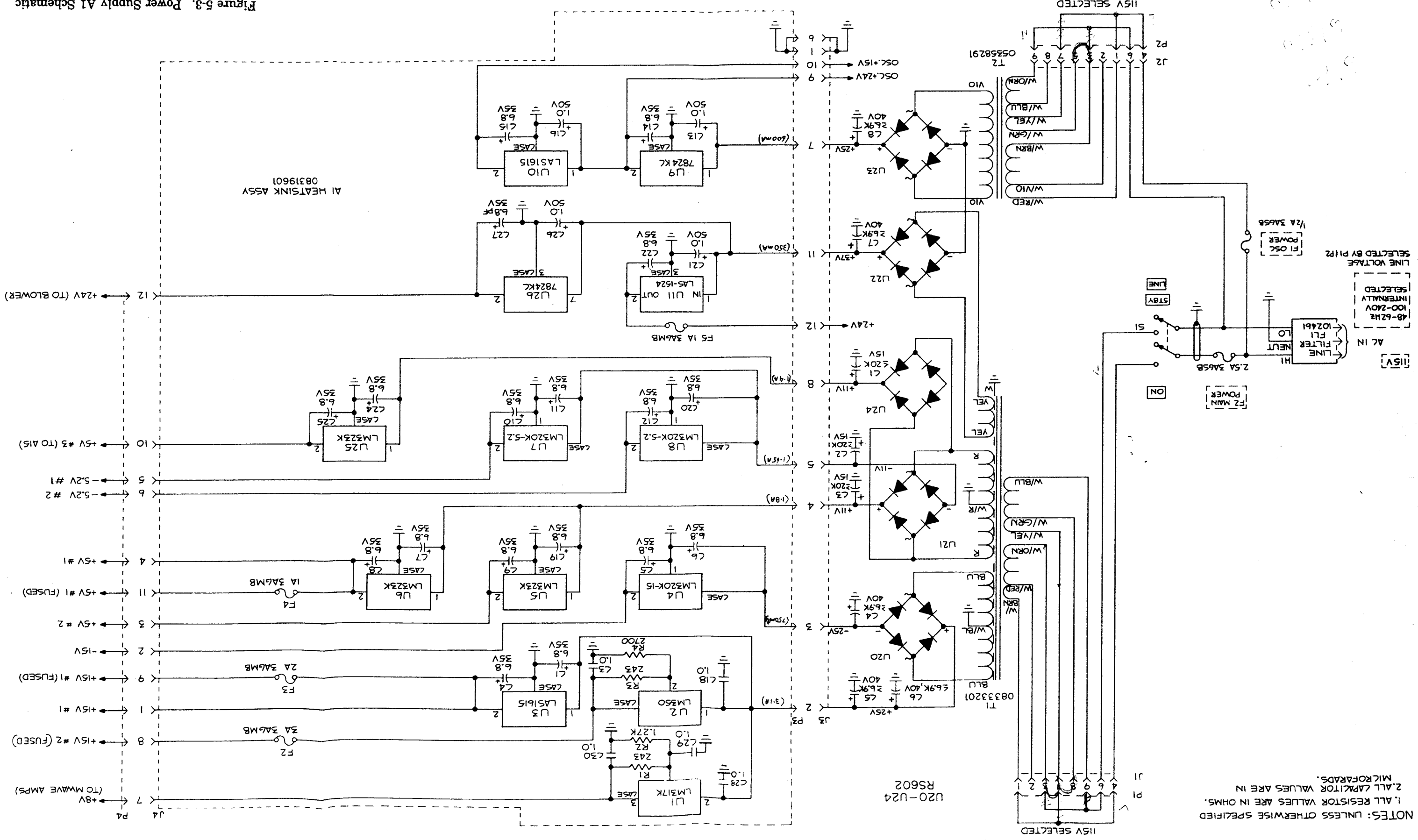
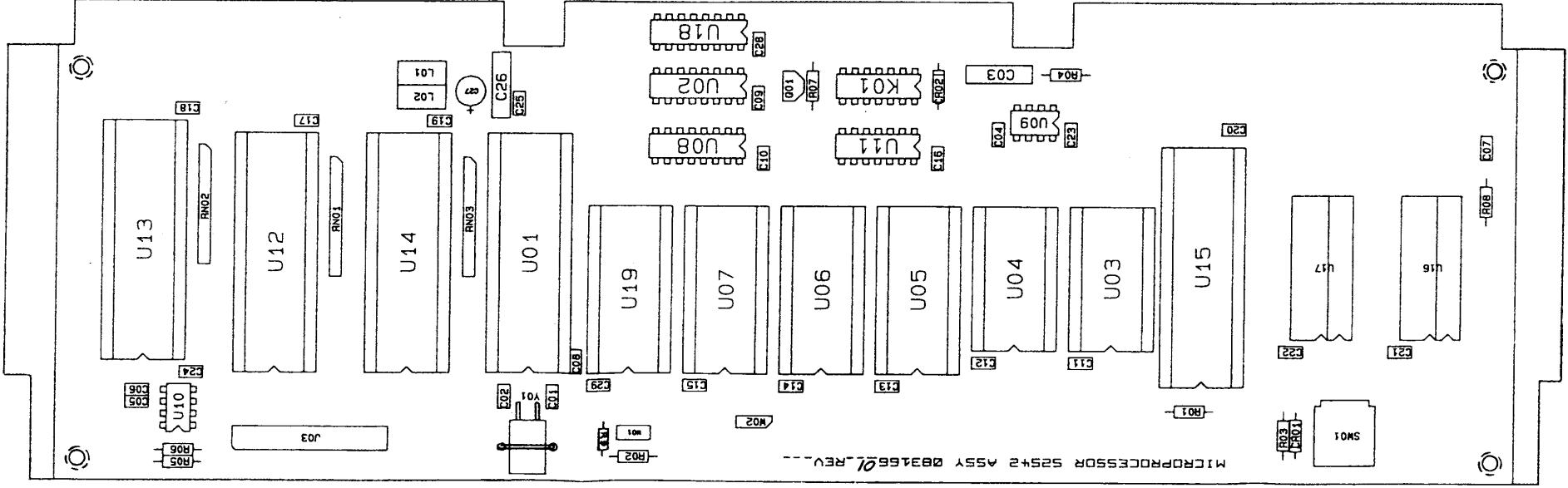


Figure 5-3. Power Supply A1 Schematic
 (System Donner No. 708319501)

Figure 5-4. Microprocessor A2 P.C. Board Assembly
(Syston Donner No. 08316601)



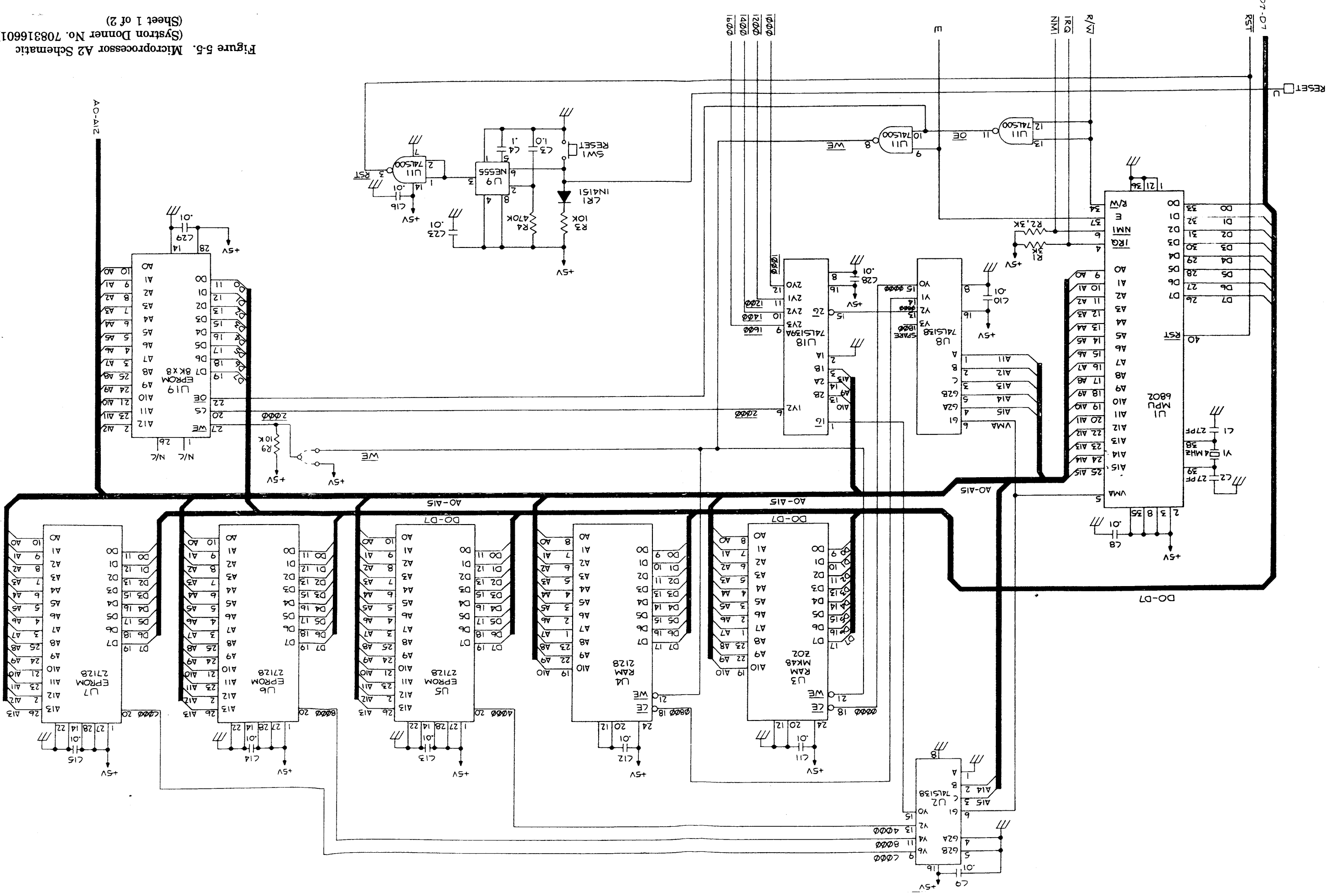


Figure 5-5. Microprocessor A2 Schematic
 (Syston Donner No. 708316601)
 (Sheet 1 of 2)

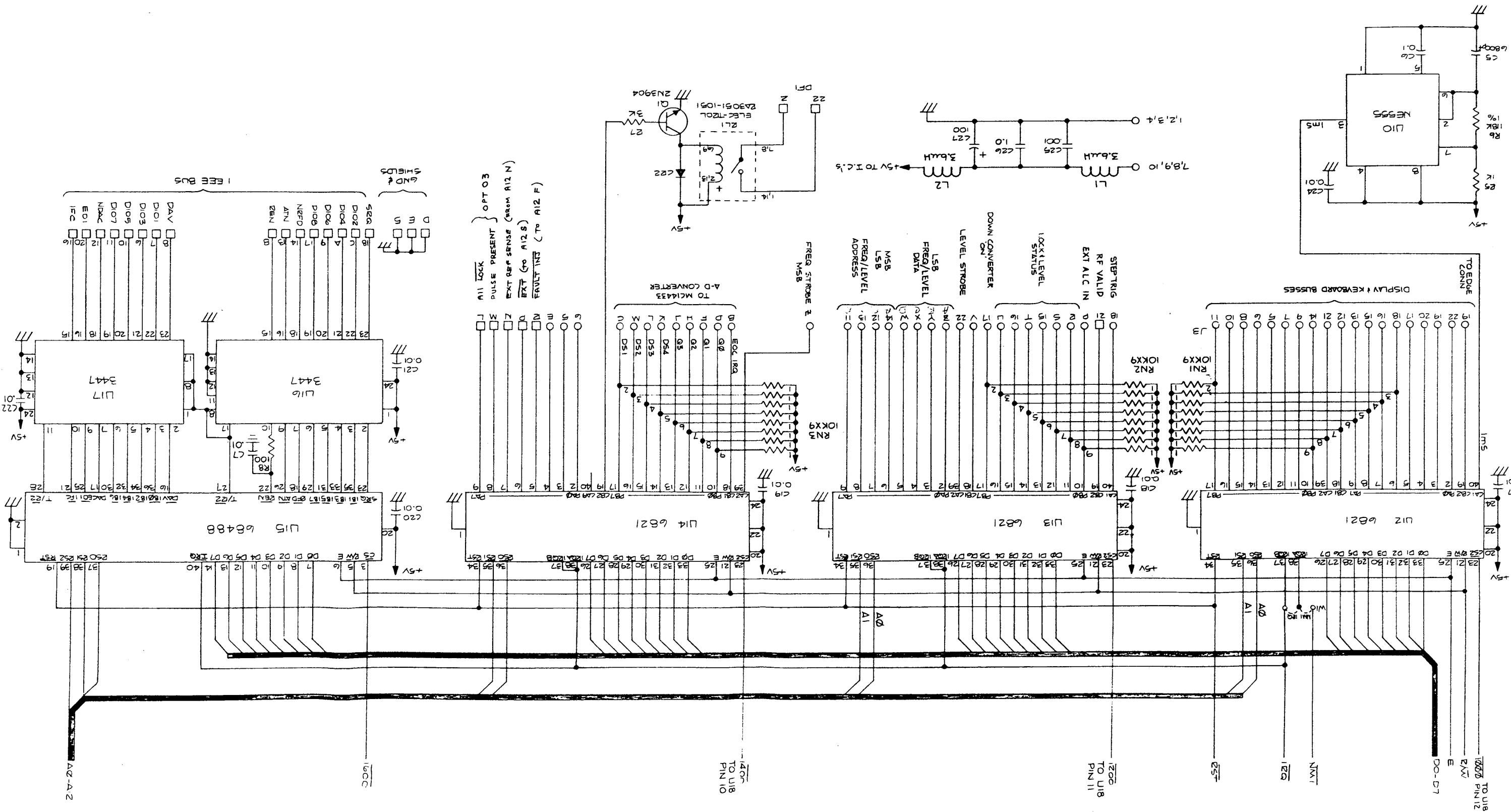
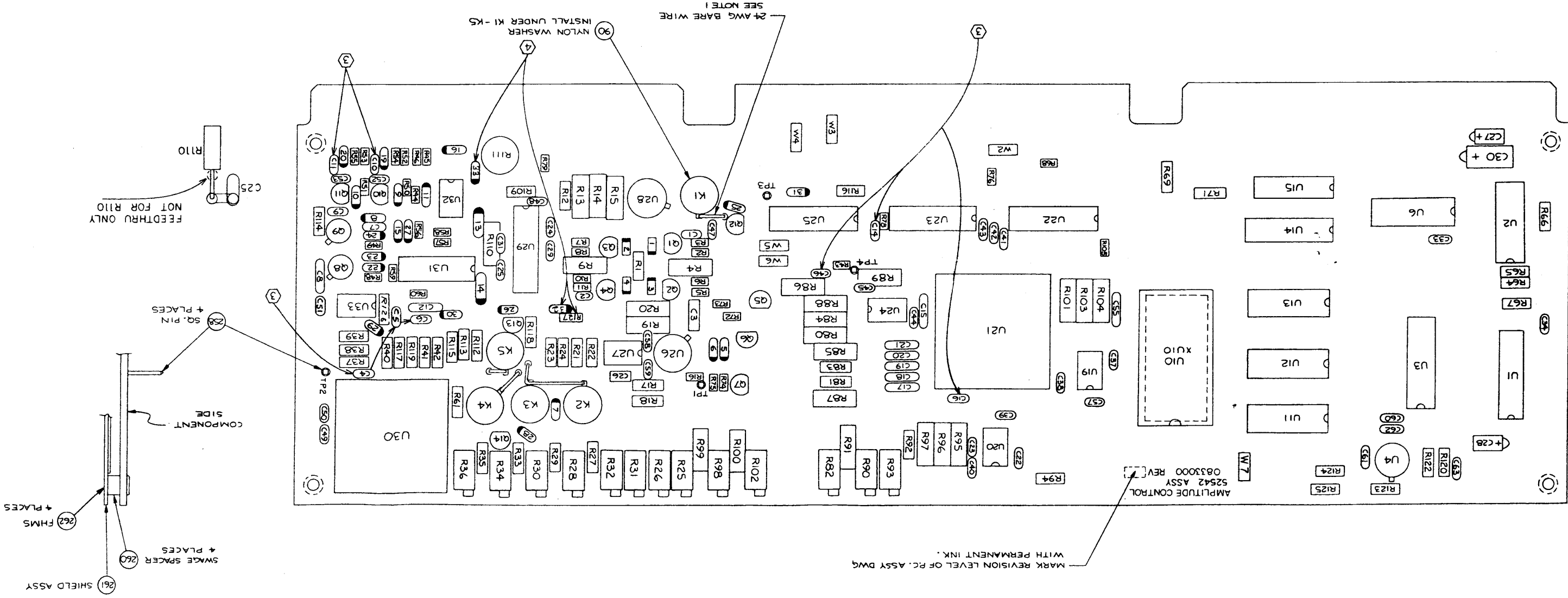
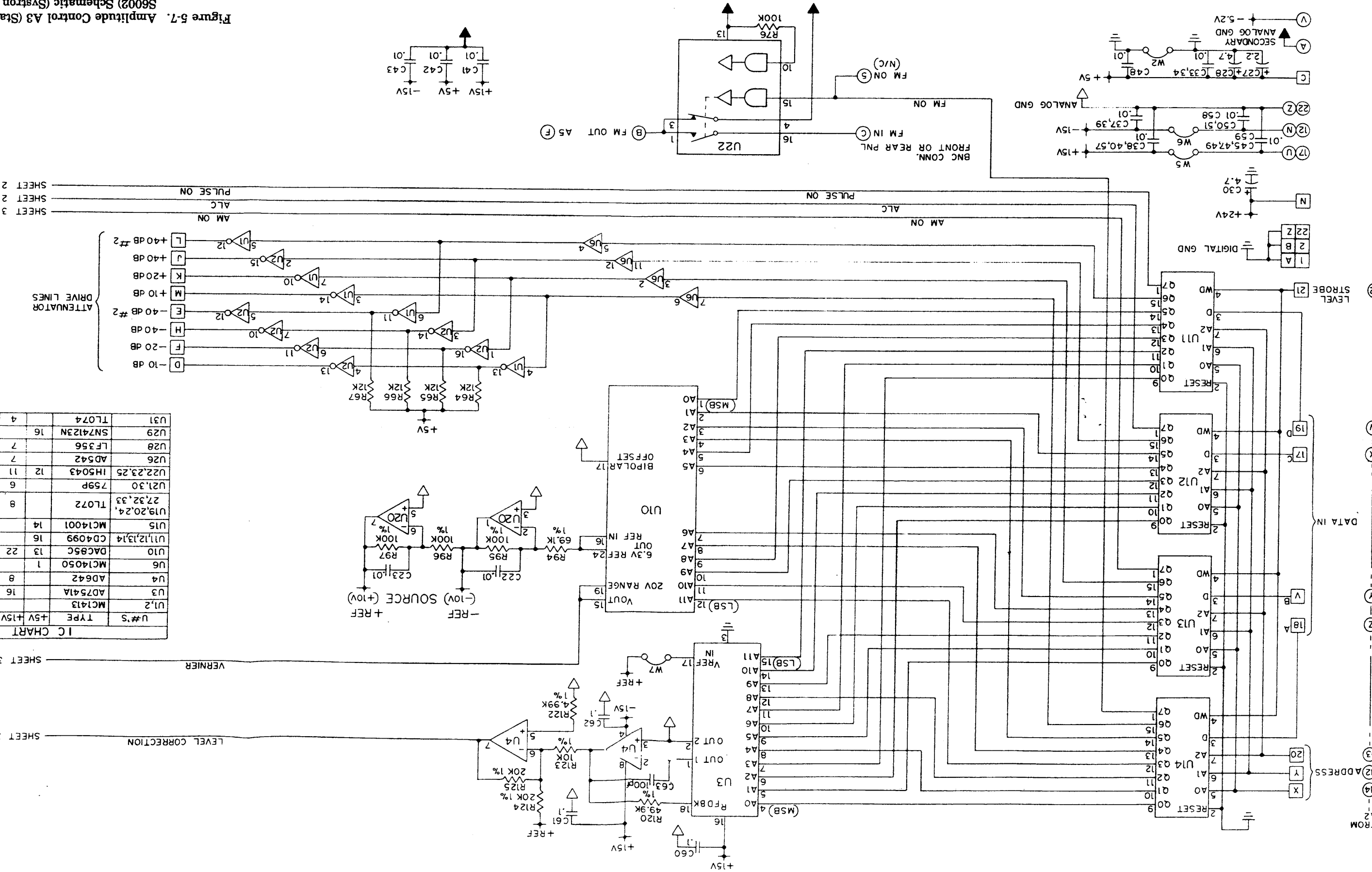


Figure 5-5. Microprocessor A2 Schematic
(Syston Donner No. 708316601)
(Sheet 2 of 2)



- NOTES:
- 1) INSTALL 24 AWG BARE WIRE + PLACES FROM TABS OF K1 THRU K5 TO PADS INDICATED. K2 & K3 SHARE ONE WIRE
 - 2) OR ARE DIODES, Banded END IS CATHODE. REFERENCE DESIGNATOR IS OMITTED BUT UNDERSTOOD AS "CR".
 - 3) C10,11,16,46 ARE CXXS TO BE INSTALLED ONLY BY TEST DEPT. IF AND WHEN NEEDED. C4,5,6,14 ALSO.
 - 4) CR32,33 AND R127 ARE ADDED TO THE BASIC PCB (08330001) TO MAKE THE 02 BD (08330002)

Figure 5-6. Amplitude Control A3 (Standard/Option S6002) P.C. Board Assembly (Syston Donner No. 08330001/08330002)



IC CHART

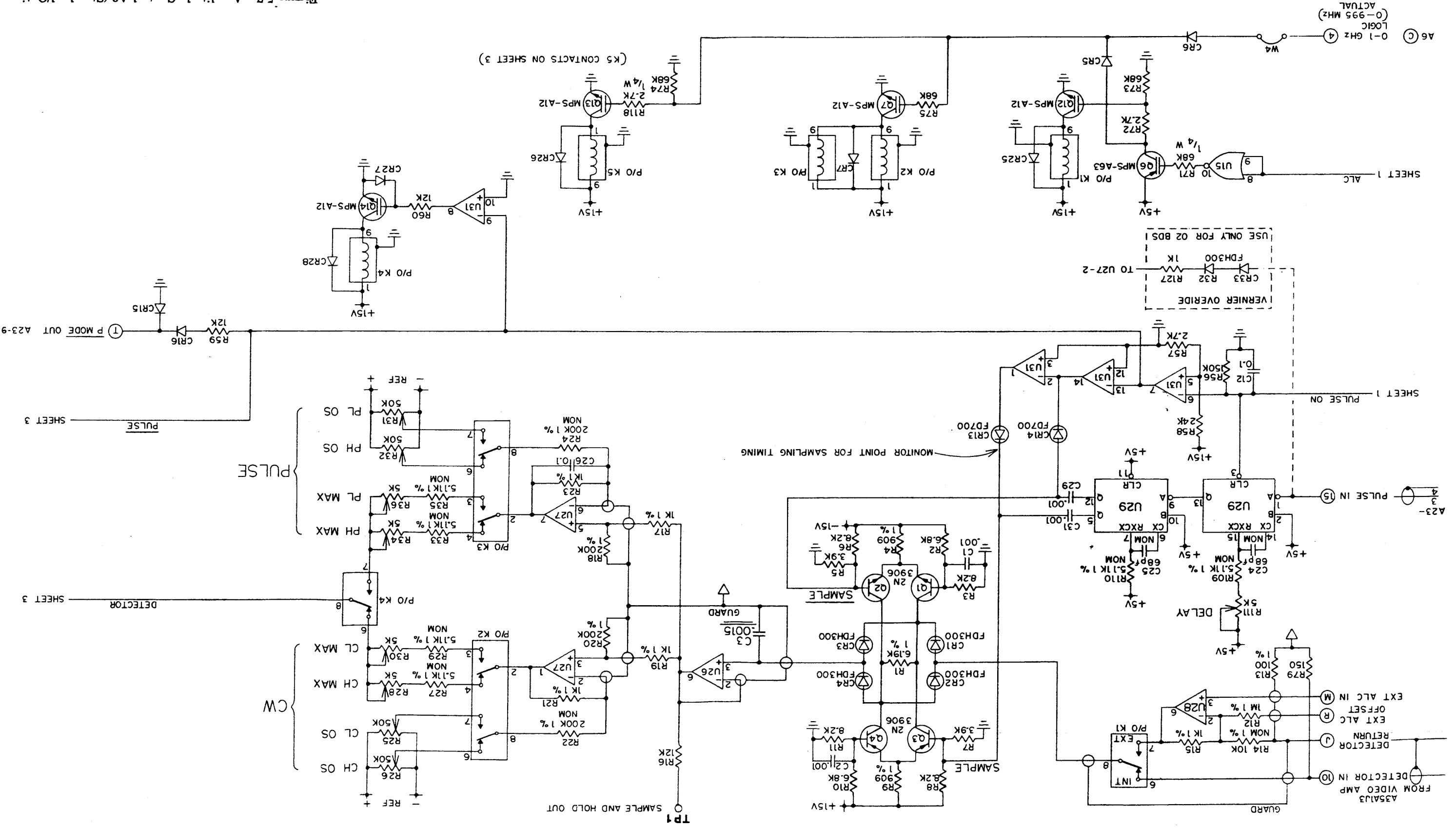
| U# | TYPE | +5V | +15V | -15V | +24V | GND |
|--------------|----------|-----|------|------|------|-----|
| U1,2 | MC1413 | | | | 9 | 8 |
| U3 | AD7541A | | 16 | | | 3 |
| U4 | AD642 | | 8 | 4 | | 8 |
| U6 | MC14050 | | 1 | | | 8 |
| U10 | DAC85C | | 13 | 22 | 14 | 21 |
| U11,12,13,14 | CD4099 | | 16 | | | 8 |
| U15 | MC14001 | | 14 | | | 7 |
| U19,20,24 | TL072 | | | 8 | 4 | |
| U21,30 | 759P | | 6 | 8 | | |
| U22,23,25 | IH5043 | | 12 | 11 | 14 | |
| U26 | AD542 | | 7 | 4 | | |
| U28 | LF356 | | 7 | 4 | | |
| U29 | SN74123N | | 16 | | | 8 |
| U31 | TL074 | | 4 | 11 | | |

Figure 5-7. Amplitude Control A3 (Standard/Option S6002) Schematic (Syston Donner No. 708330001/708330002) (Sheet 1 of 3)

SHEET 3
SHEET 2
SHEET 2

VERNIER
LEVEL CORRECTION

ATTENUATOR
DRIVE LINES



A6 C 0-1 GHz LOGIC (0-995 MHz) ACTUAL

SHEET 1 ALC

VERNIER OVERRIDE
CR33 R32 R127
FDH300 1K
USE ONLY FOR 02 BDS

TO U27-2

SHEET 1 PULSE ON

A23- PULSE IN (15)

PULSE

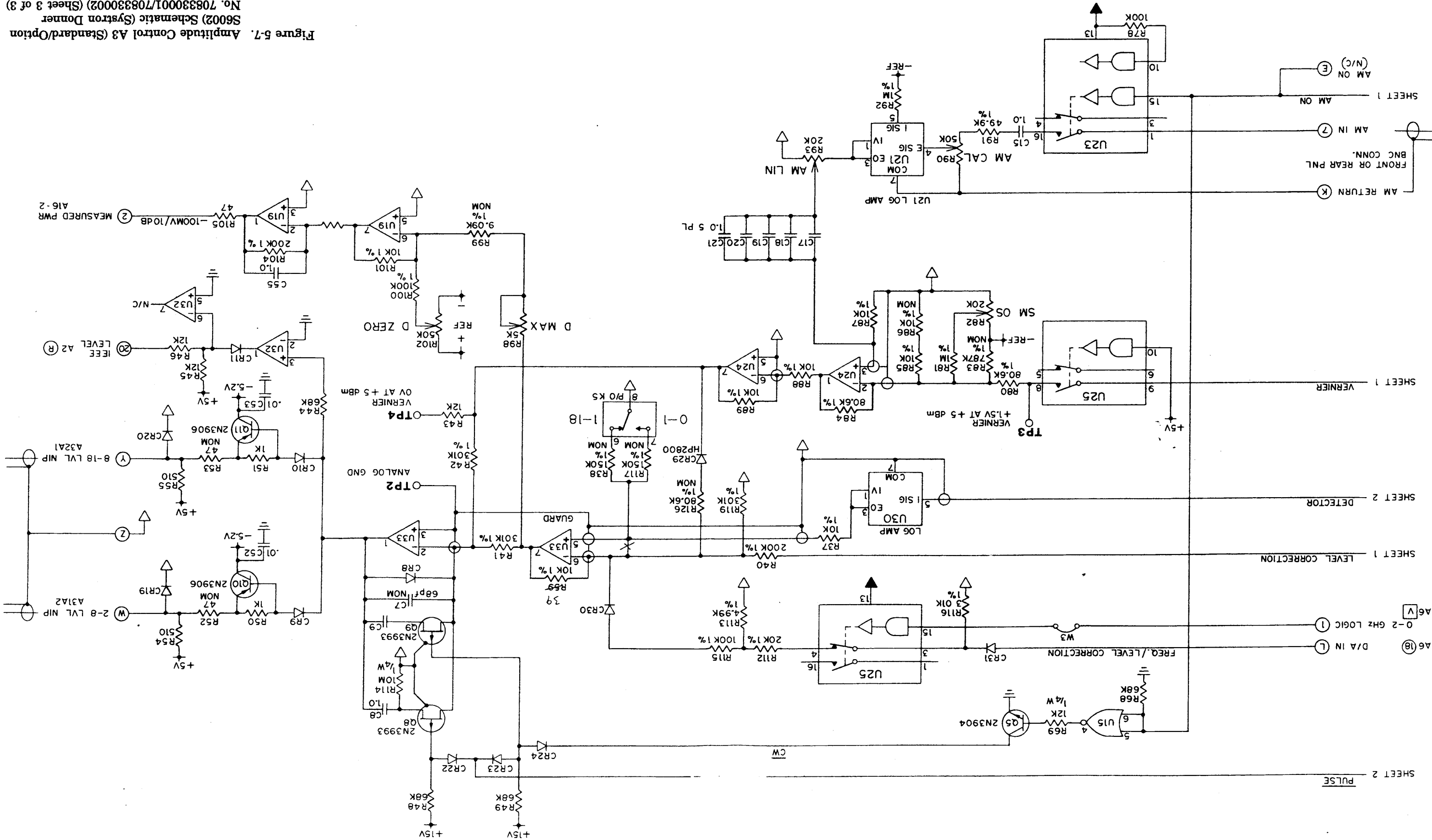
CW

DETECTOR

PULSE

A23-9 P MODE OUT

Figure 5-7. Amplitude Control A3 (Standard/Option S6002) Schematic (Syston Donner No. 708330001/708330002) (Sheet 3 of 3)



SHEET 2 PULSE

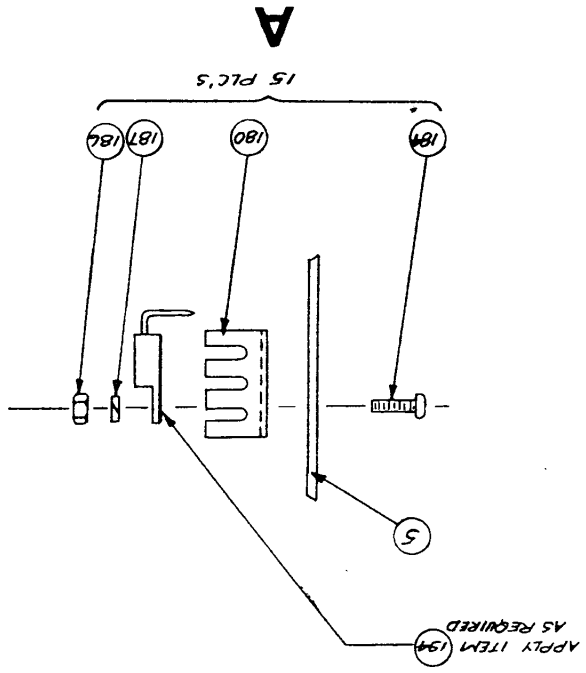
A6 (V) 0-2 GHz LOGIC (I)
A6 (B) D/A IN (L)

SHEET 1 LEVEL CORRECTION

SHEET 2 DETECTOR

SHEET 1 VERNIER

AM RETURN (K)
FRONT OR REAR PNL BNC CONN.
AM IN (7)
AM ON (N/C)
AM ON (E)



AS PCB YIG OSC AND YTF DRIVER
52542 ASSY 08317501 REV---

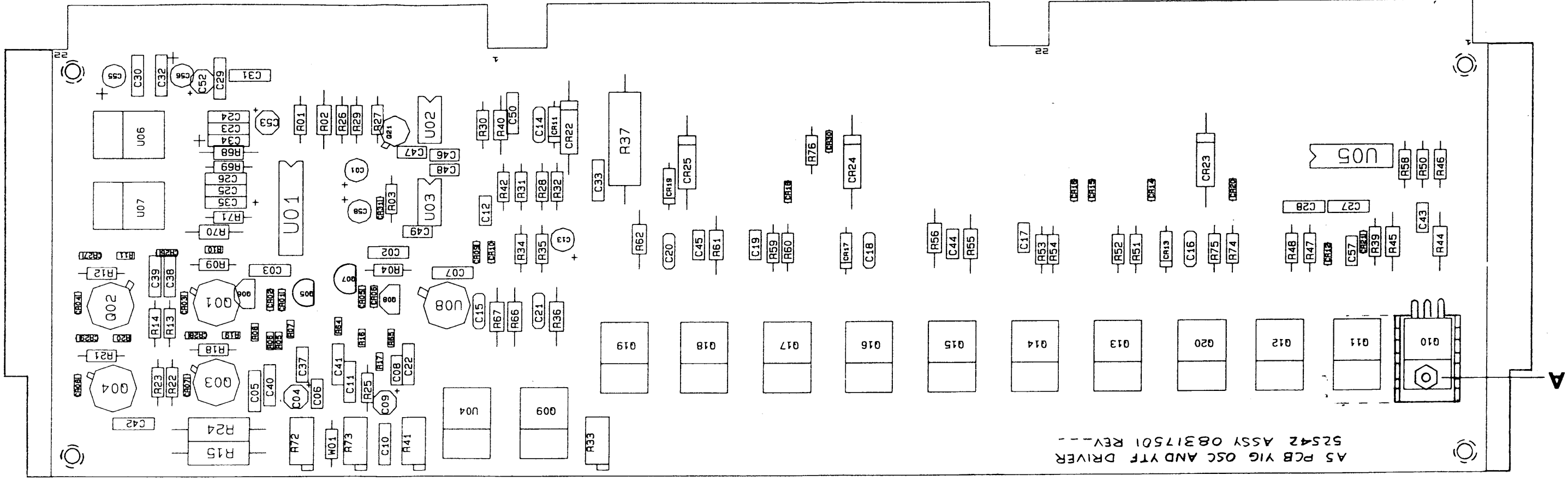


Figure 5-8. YIG Oscillator and YIG Tuned Filter
Drivers A5 P.C. Board Assembly
(Syston Donner No. 08317501)

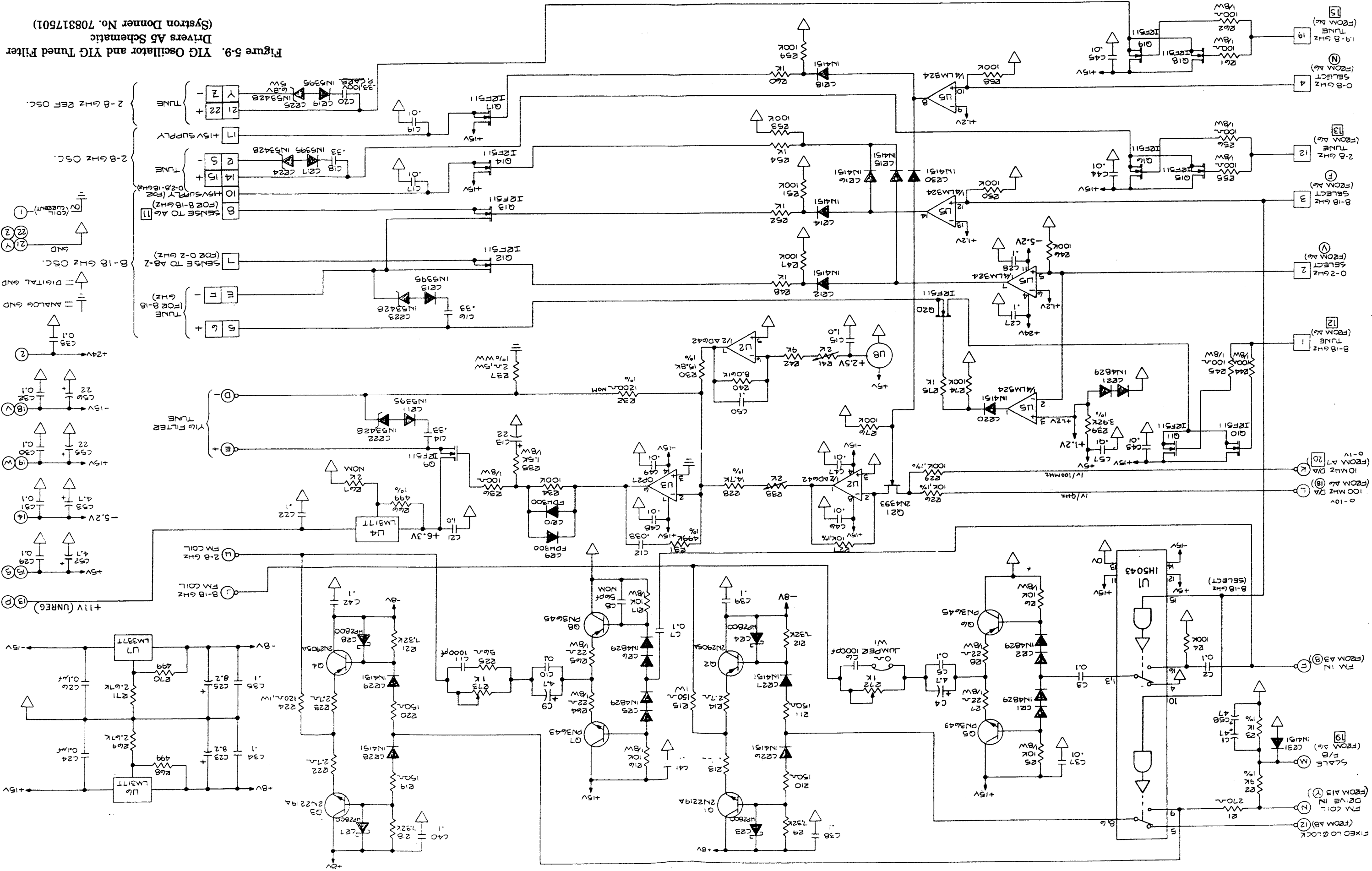


Figure 5-9. YIG Oscillator and YIG Tuned Filter Drivers A5 Schematic (Syston Donner No. 708317501)

Figure 5-10. Oscillator Driver A6 P.C. Board Assembly
(Syston Donner No. 08317301)

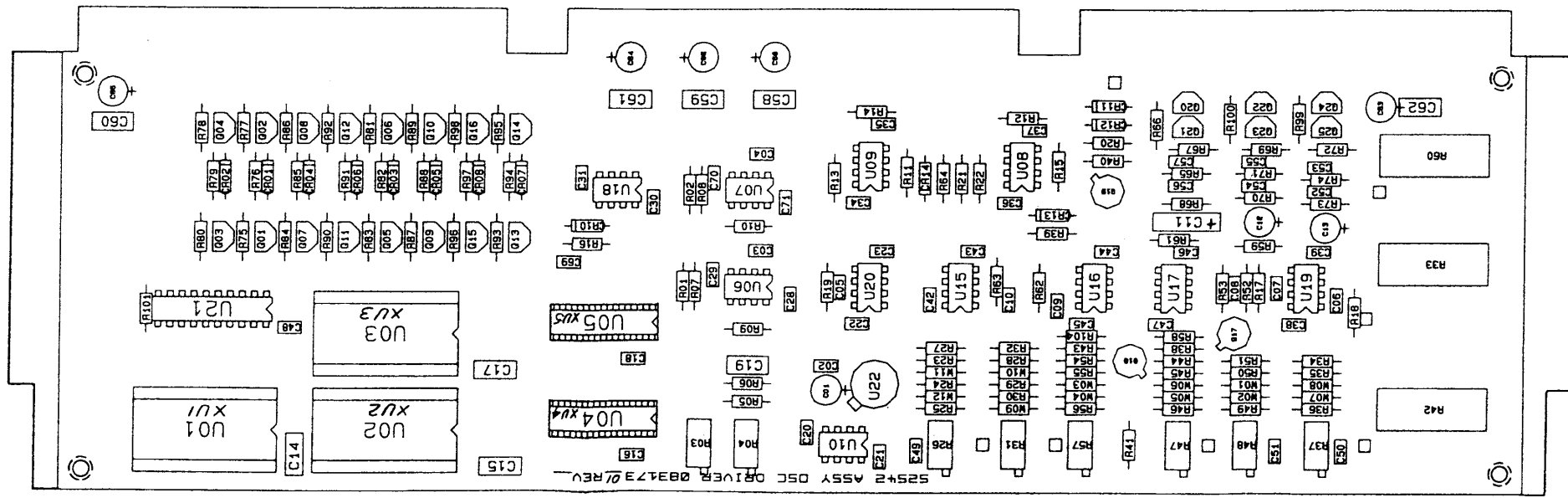
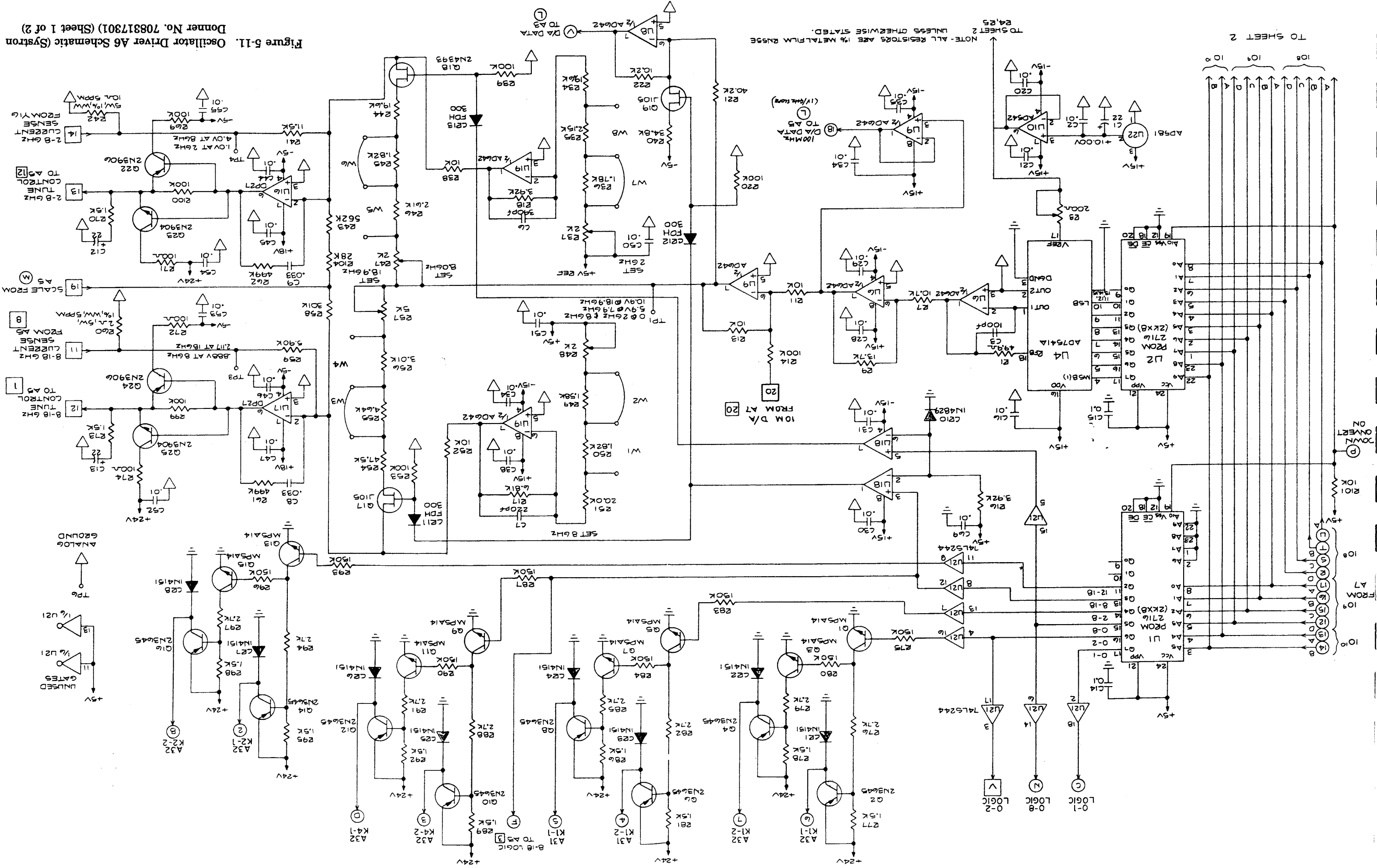


Figure 5-11. Oscillator Driver A6 Schematic (System Donner No. 708317301) (Sheet 1 of 2)

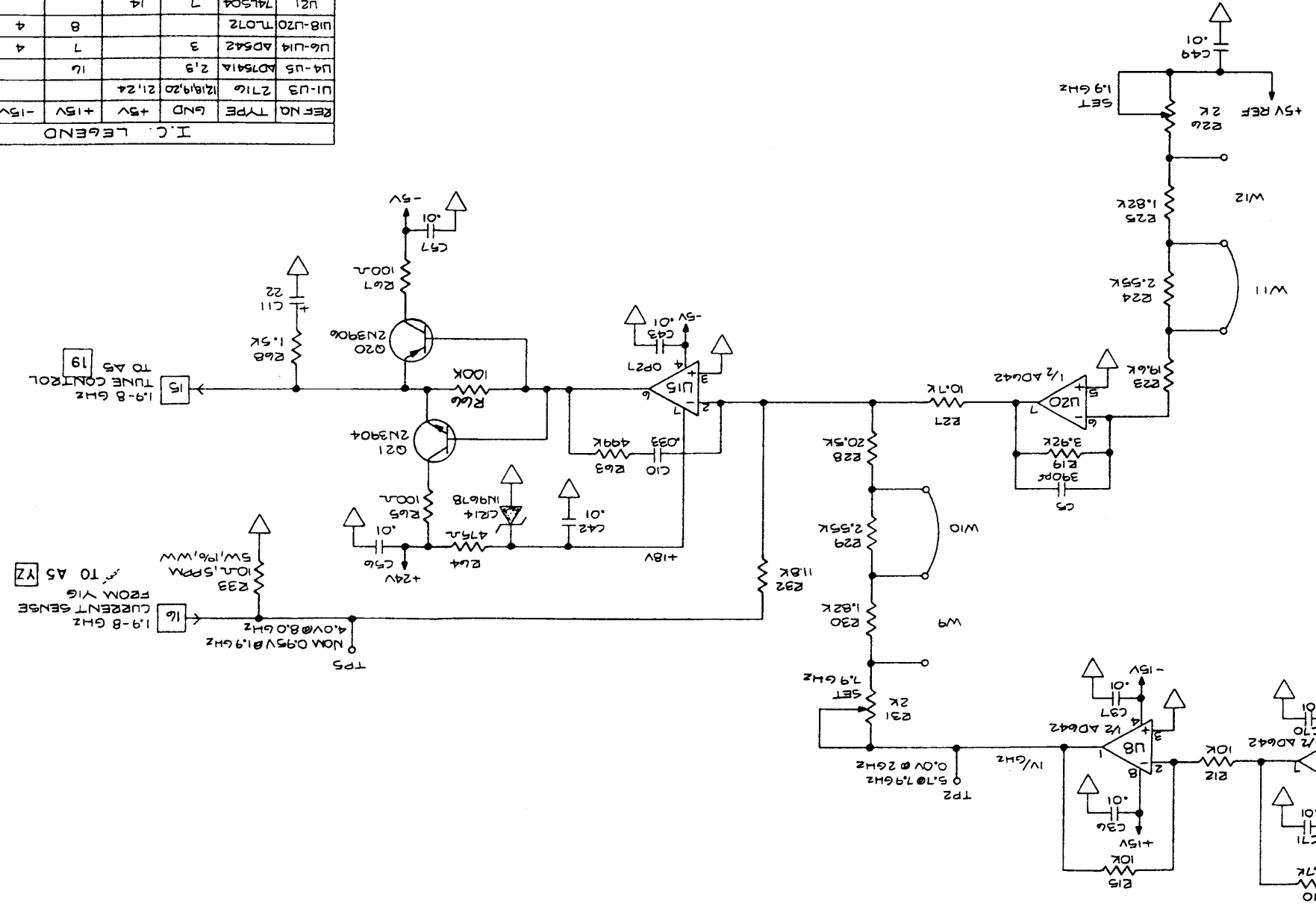
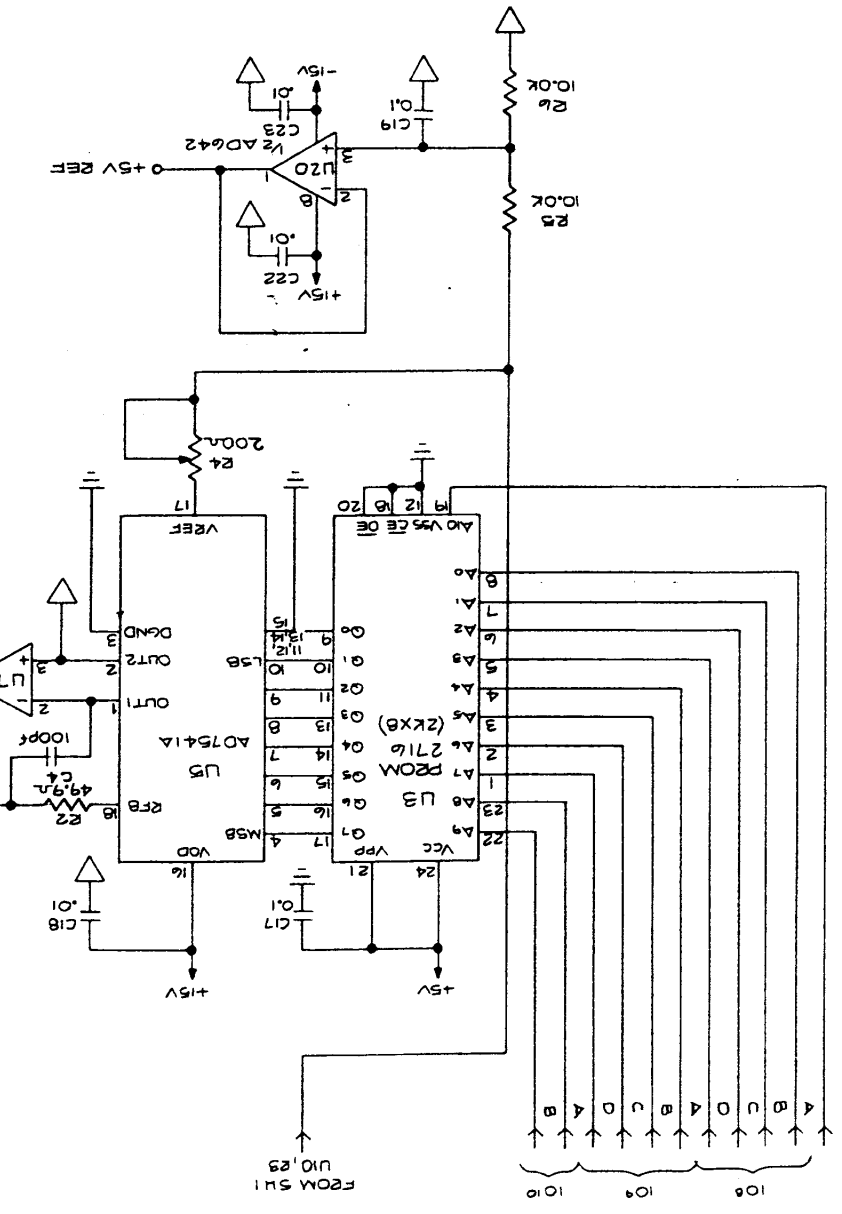
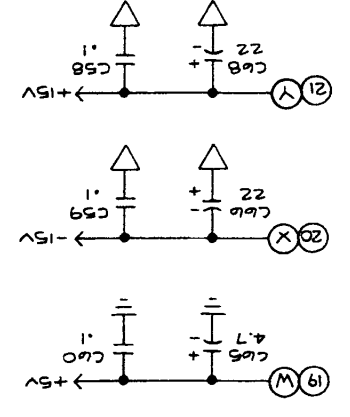
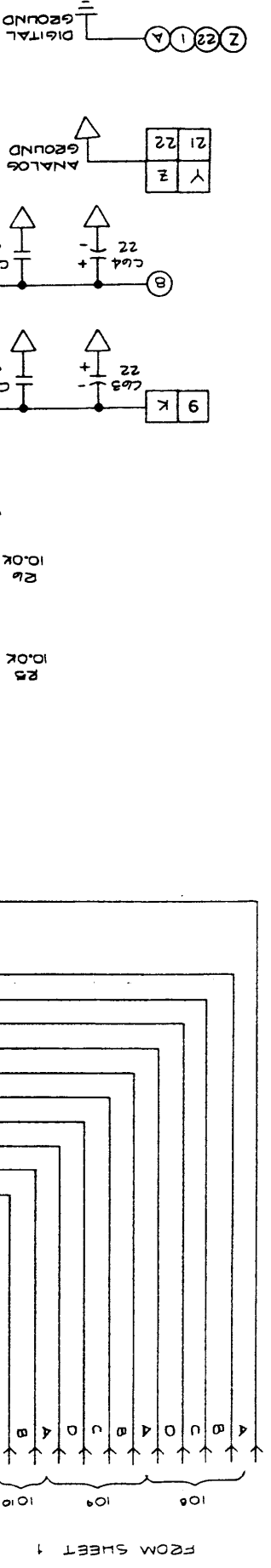


TO SHEET 2

NOTE - ALL RESISTORS ARE 1% METAL FILM RN55E UNLESS OTHERWISE STATED.

FROM A7
10⁰ 10¹ 10² 10³ 10⁴ 10⁵ 10⁶ 10⁷ 10⁸ 10⁹ 10¹⁰

DOWN ON
R10 10K

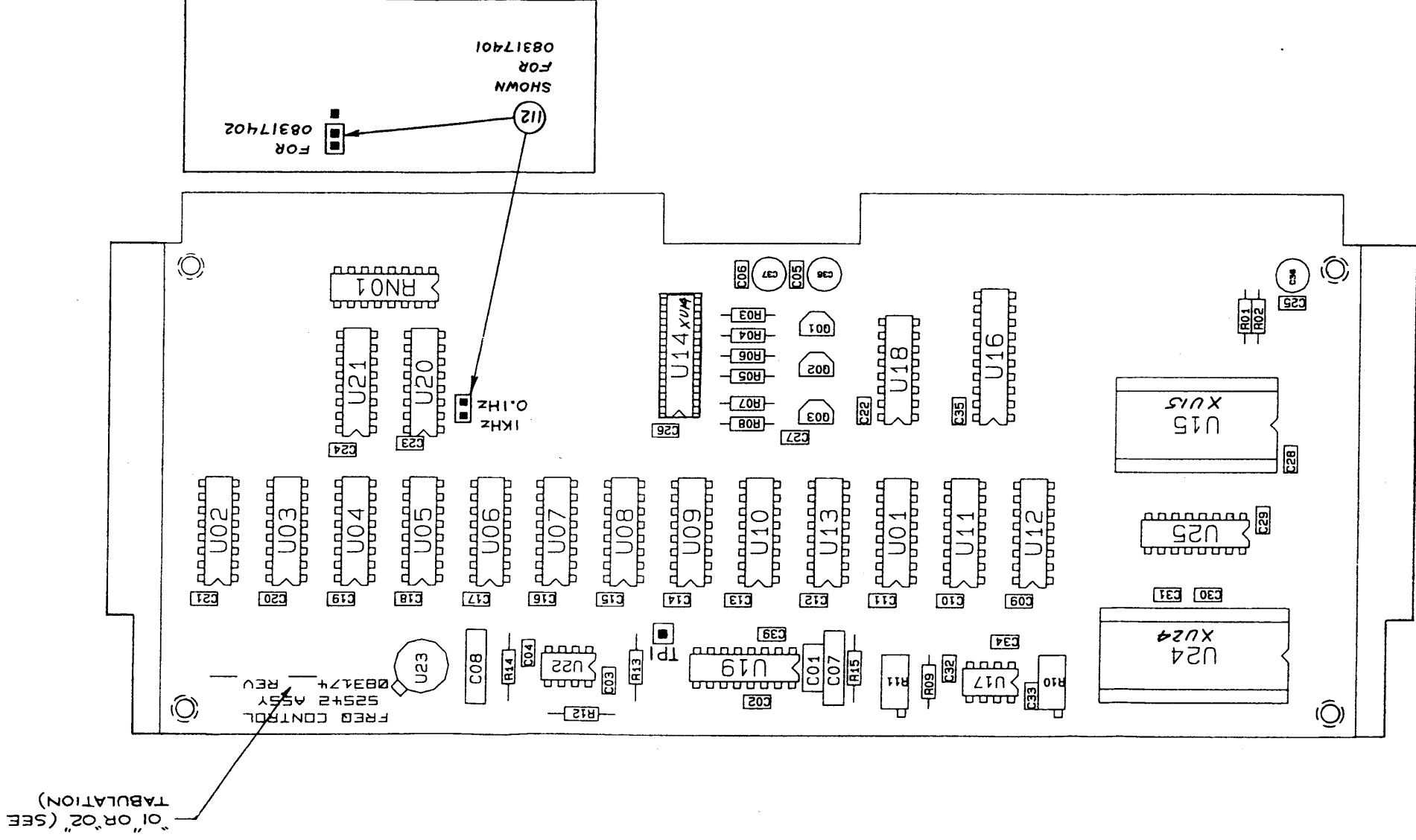


I.C. LEGEND

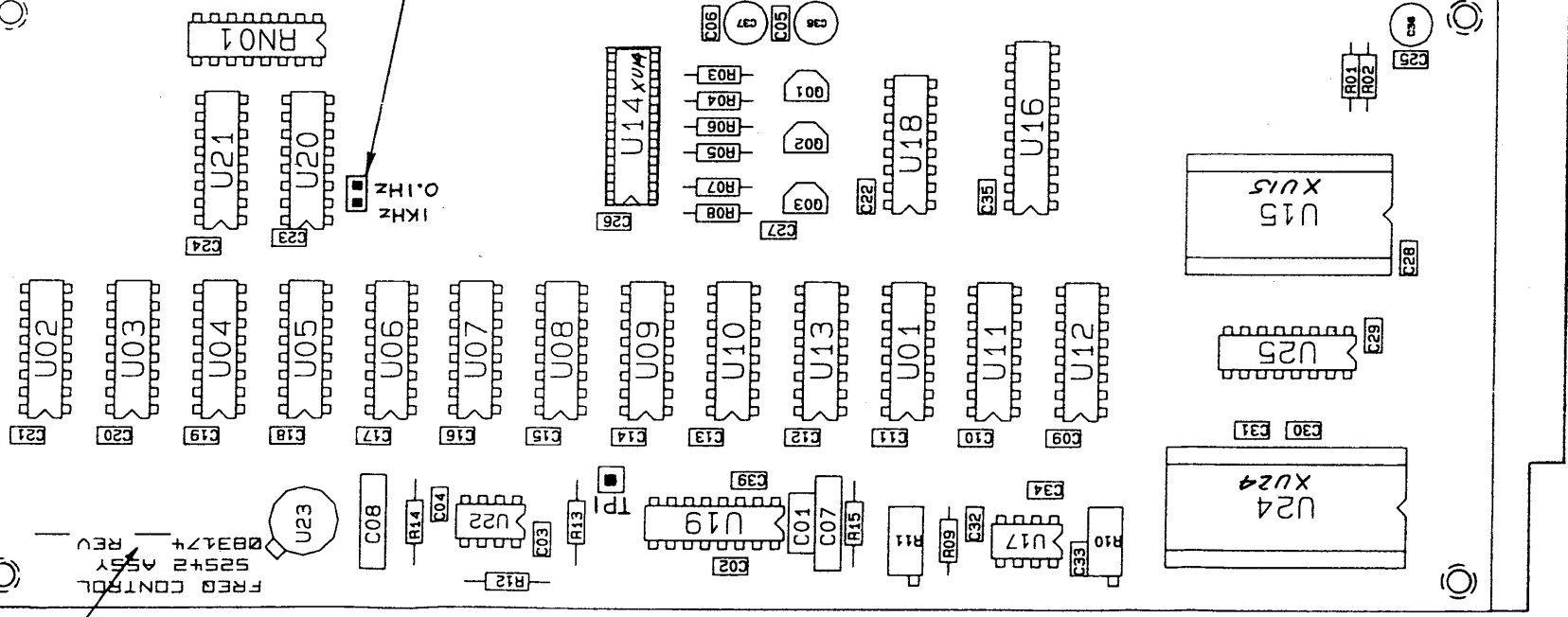
| REF NO | TYPE | GND | +5V | +15V | -15V | +18V | -5V |
|---------|---------|--------------|--------|------|------|------|-----|
| U1-U3 | 2716 | 1218, 19, 20 | 21, 24 | | | | |
| U4-U5 | AD7541A | 2, 3 | | | | | |
| U6-U14 | AD542 | 3 | | | | | |
| U18-U20 | 7472 | | | | | | |
| U21 | 74LS04 | 7 | 14 | | | | |
| U22 | 74LS04 | 1 | 4 | 11 | | | |
| U15-U17 | AD542 | 3 | | | | | |

Figure 5-11. Oscillator Driver A6 Schematic (Syston Donner No. 708317301) (Sheet 2 of 2)

Figure 5-12. Frequency Control A7 (Standard/Option 03)
P.C. Board Assembly (Syston Donner
No. 08317401/08317402)



SHOWN FOR 08317401
FOR 08317402

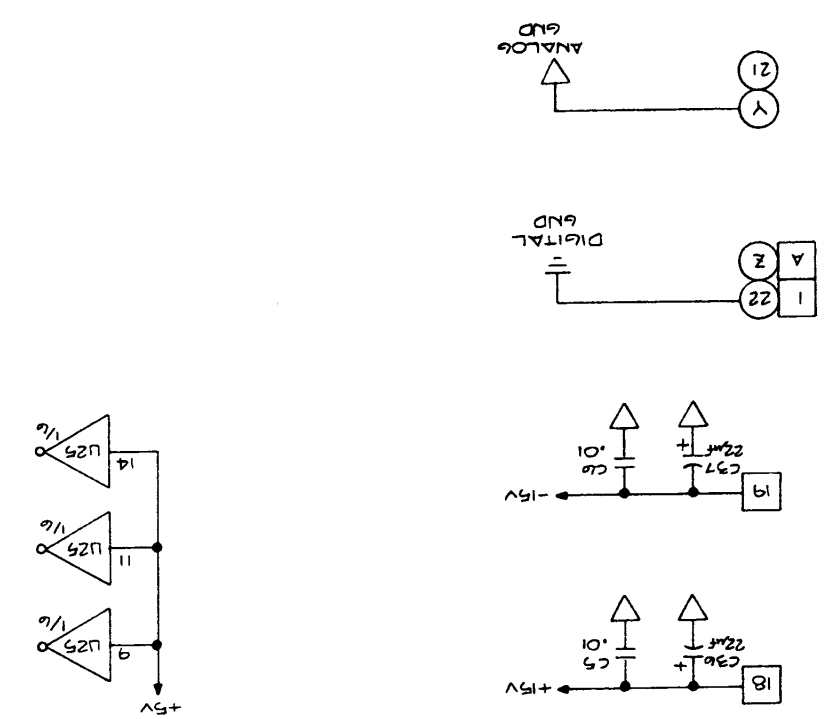
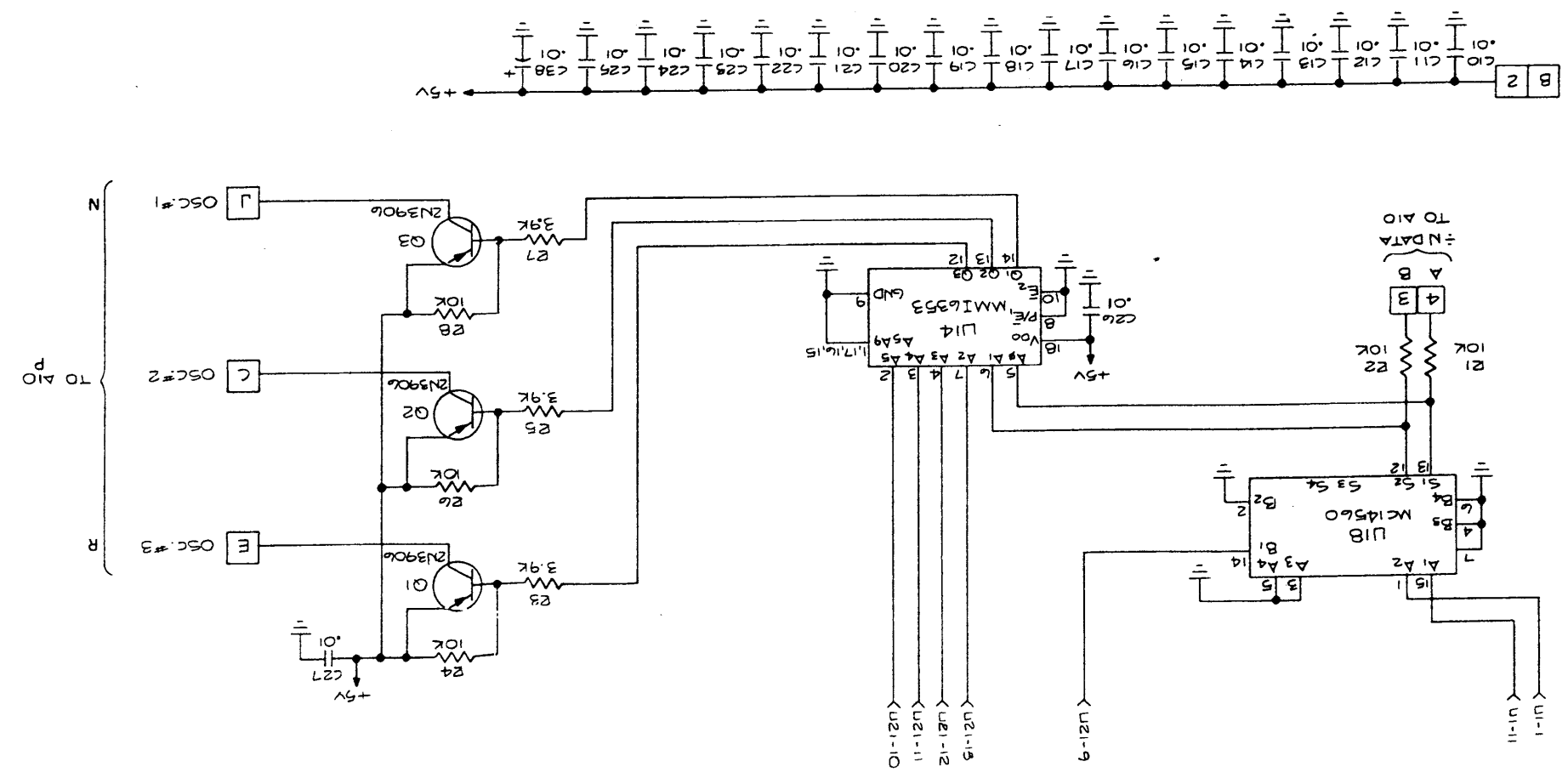
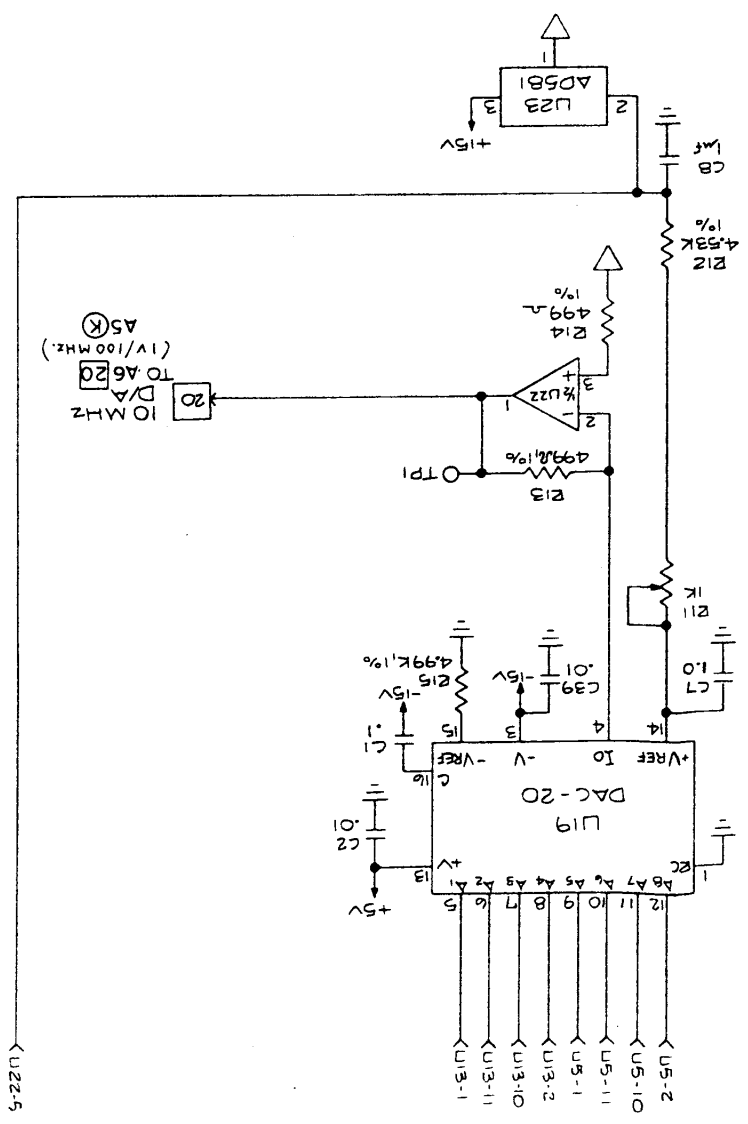


'01' or '02' (SEE
TABULATION)

Figure 5-13. Frequency Control A7 (Standard/Option 03) Schematic (Syston Donner No. 708317401/708317402) (Sheet 2 of 2)

INTEGRATED CIRCUIT TABULATION

| LOC# | TYPE | +5V | -5V | GND | LOC# | TYPE | +5V | -5V | GND |
|------|---------|-----|-----|-----|------|----------|-----|-----|-----|
| U1 | MC14042 | | | | U15 | MC145148 | | | |
| U2 | | | | | U16 | 74HC244 | | | |
| U3 | | | | | U17 | TL072 | | | |
| U4 | | | | | U18 | MC14560 | | | |
| U5 | | | | | U19 | DAC-20 | | | |
| U6 | | | | | U20 | MC14560 | | | |
| U7 | | | | | U21 | MC14560 | | | |
| U8 | | | | | U22 | TL072 | | | |
| U9 | | | | | U23 | AD501 | | | |
| U10 | | | | | U24 | AD567 | | | |
| U11 | | | | | U25 | MC14049 | | | |
| U12 | | | | | | | | | |
| U13 | MC14042 | | | | | | | | |
| U14 | MMT6353 | | | | | | | | |



K122-5

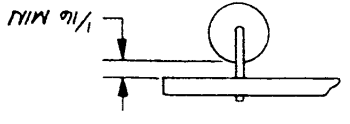
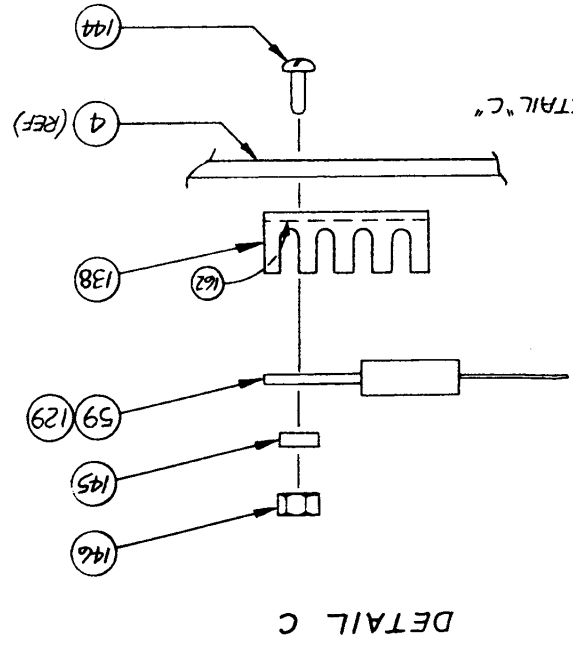
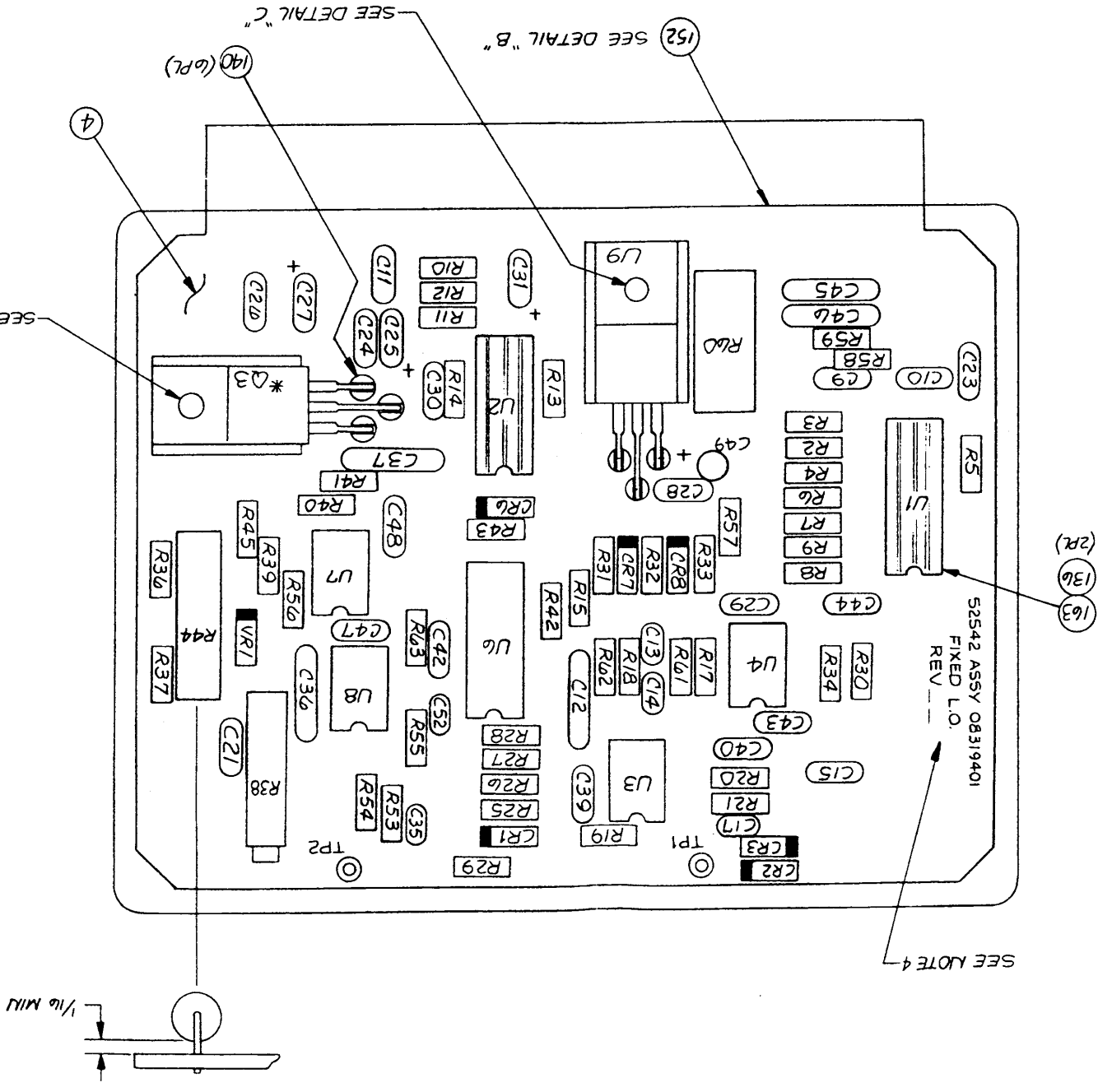
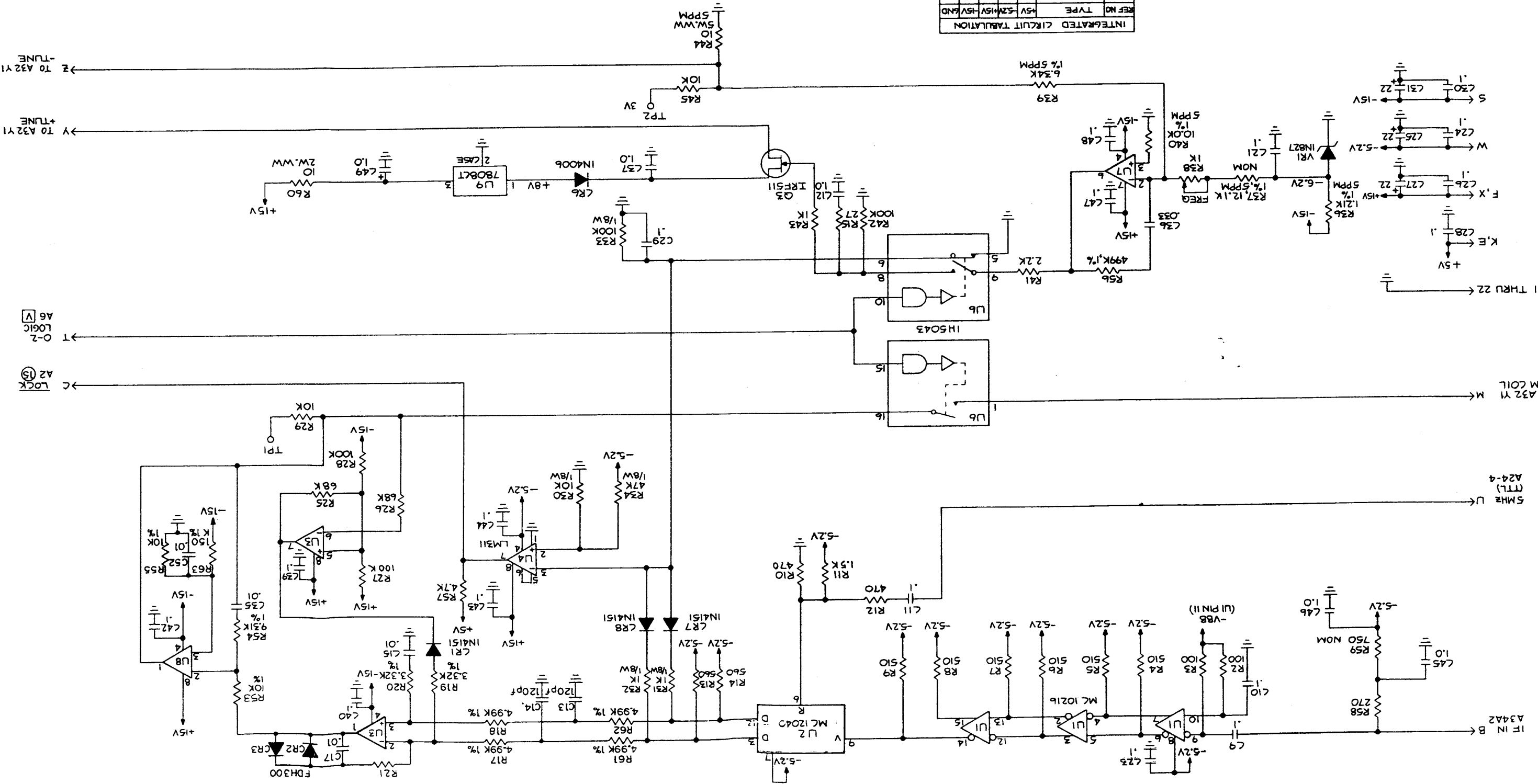


Figure 5-14. Fixed Local Oscillator Phase-Locked Loop
 A8 P.C. Board Assembly (System Donner
 No. 08319401)

Figure 5-15. Fixed Local Oscillator Phase-Locked Loop
 A8 Schematic (Syston Donner
 No. 708319401)

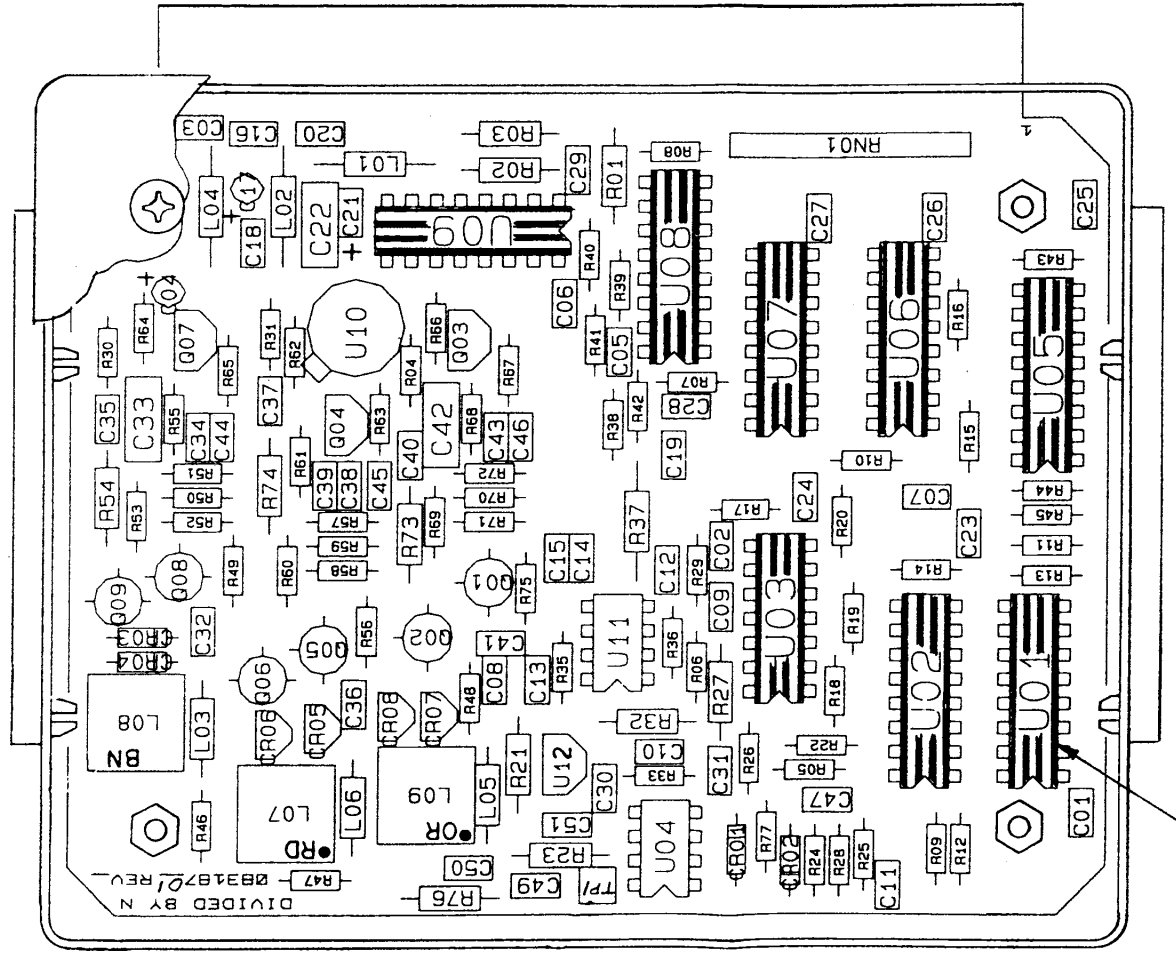


INTEGRATED CIRCUIT TABULATION

| REF NO | TYPE | +5V | -5.2V | +5V | -15V | AND |
|--------|---------|-----|-------|-----|------|------|
| U1 | MC1021B | 8 | | | | 1,16 |
| U2 | MC1204D | 7 | | | | 1,14 |
| U3 | NE5532 | | 8 | 4 | | |
| U4 | LM311 | | | | 8 | 4 |
| U6 | 1H5043 | 12 | 11 | 14 | 13 | |
| U7 | AD542LH | | 7 | 4 | | |
| U8 | NE5532 | | 8 | 4 | | |

NOTES: UNLESS OTHERWISE SPECIFIED
 1. ALL RESISTOR VALUES ARE IN OHMS, 1/4W, 5%.
 2. ALL CAPACITOR VALUES ARE IN MICROFARADS.

Figure 5-16. Divide-by-N A10 P.C. Board Assembly
(Syston Donner No. 08318701)



8 PLCS 88
U1-3
\$ US-9122
THERMAL BOND EPOXY
4951 (P/N 10312601)

Figure 5-17. Divide-by-N A10 Schematic
(Syston Donner No. 708318701)

NOTES: UNLESS OTHERWISE SPECIFIED
1. ALL CAPACITOR VALUES ARE IN P.F.
2. ALL RESISTOR VALUES ARE IN OHMS, 1/4W/5%

INTEGRATED CIRCUIT TABULATION

| LOC # | TYPE | +15V | -15V | -5.2V GND |
|-------|---------|------|------|-----------|
| U1 | MC10131 | B | 11/6 | B |
| U2 | MC10106 | B | 11/6 | B |
| U3 | MC12040 | 7 | 11/4 | |
| U4 | OP27 | 7 | 4 | |
| U5 | MC10137 | B | 11/6 | B |
| U6 | MC10137 | B | 11/6 | B |
| U7 | MC10137 | B | 11/6 | B |
| U8 | 11C90 | 12/3 | 4/5 | |
| U9 | 11C90 | 12/3 | 4/5 | |
| U10 | MWA120 | | | 3 |
| U11 | LM311 | B | | 4 |

TABULATION BLOCK

| | | |
|----|-------------|---------|
| L8 | 1 1/2 TURNS | 346A BN |
| L7 | 1 1/2 TURNS | 346A RD |
| L9 | 4 3/4 TURNS | 246A OR |

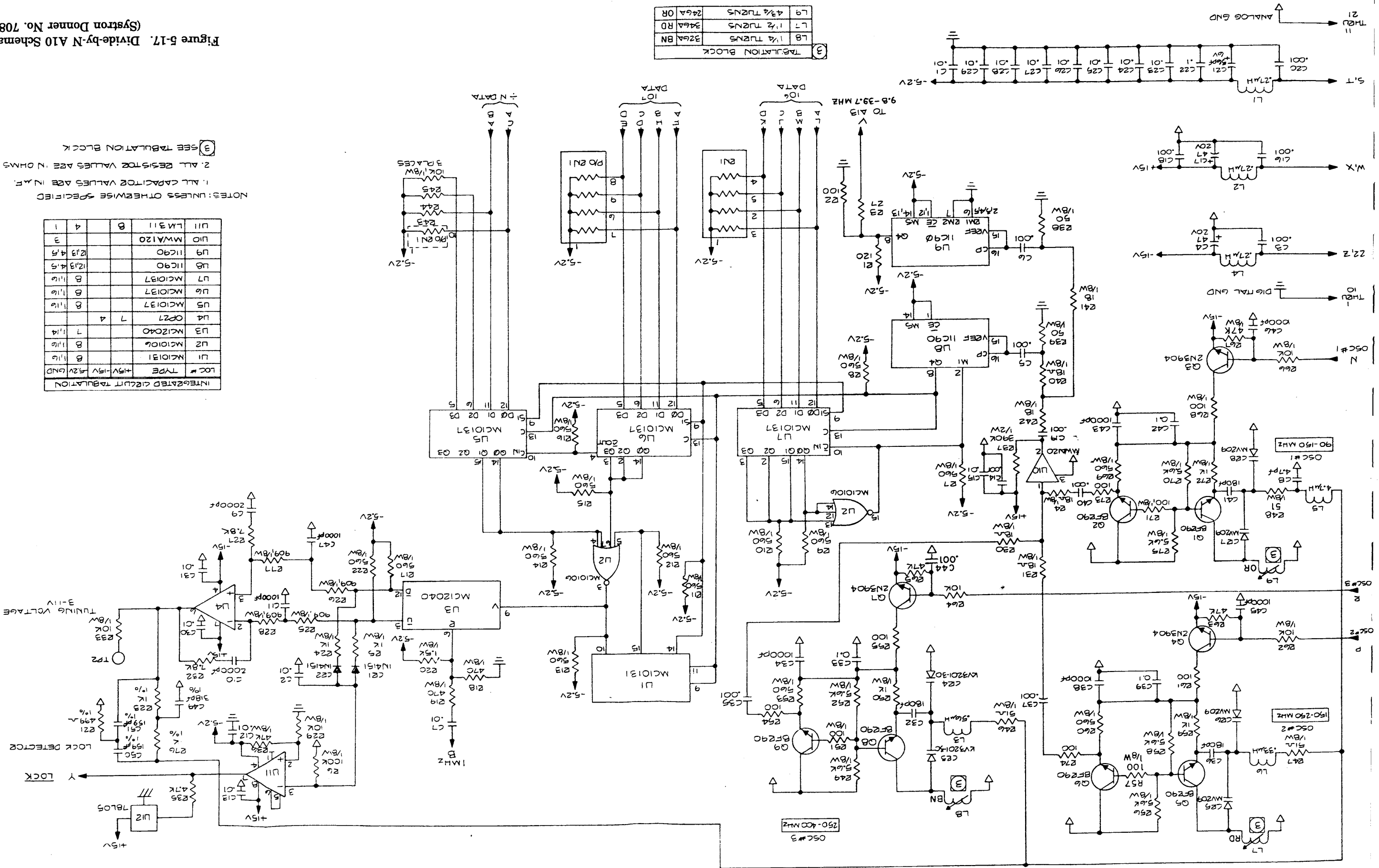


Figure 5-18. 1 KHz Resolution Synthesizer A1
(Option 03) P.C. Board Assembly
(System Donner No. 08361902)

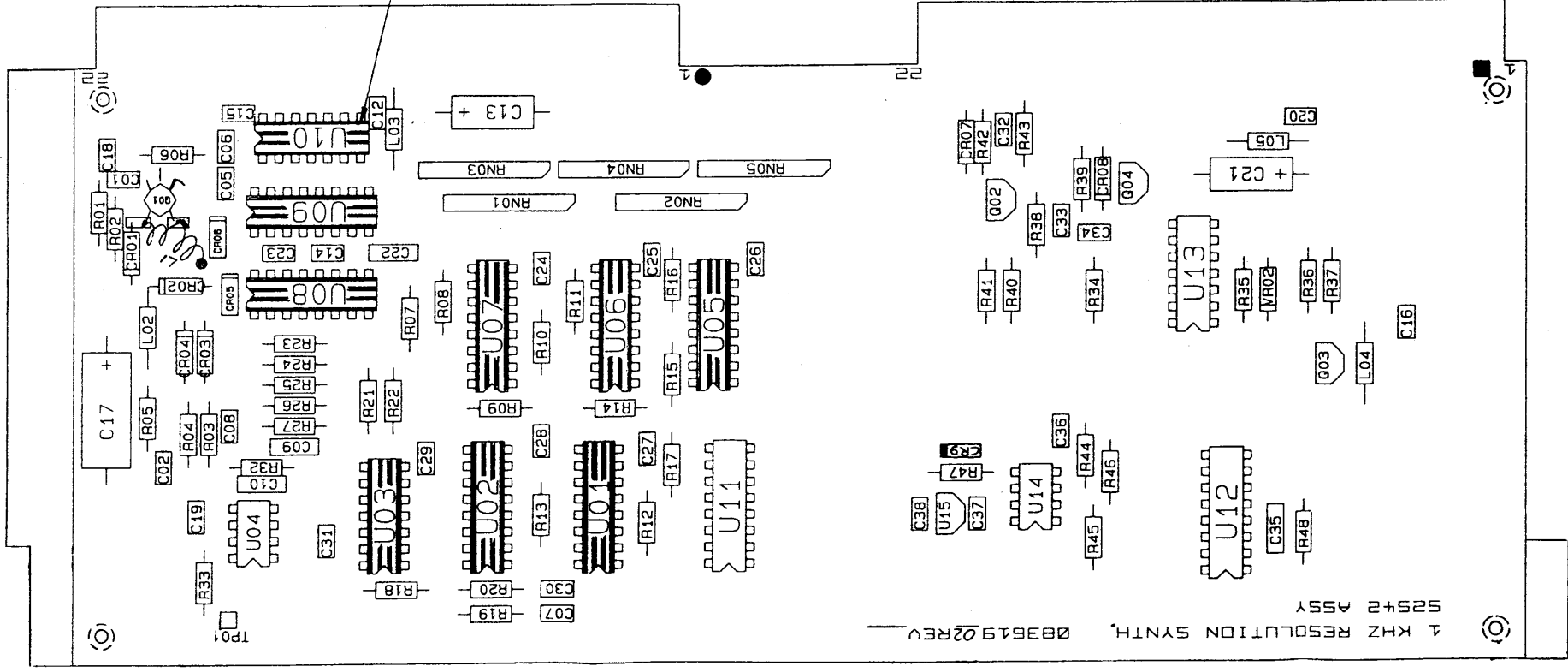
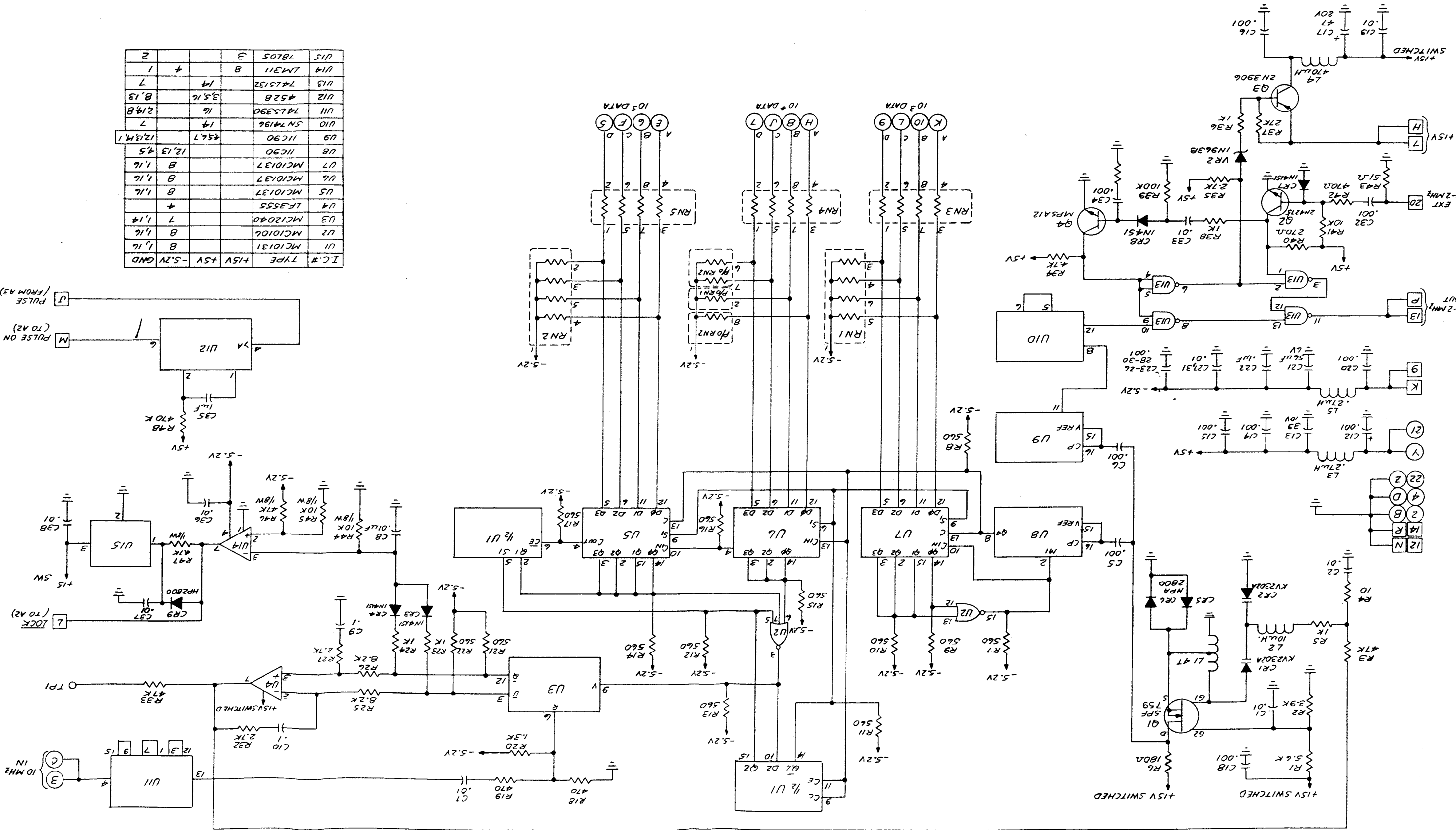


Figure 5-19. 1 KHz Resolution Synthesizer All (Option 03) Schematic (Syston Donner No. 708361902)



| I.C.# | TYPE | +5V | +5V | -5.2V | GND |
|-------|---------|------------|------------|-------|-----|
| U1 | MC10131 | 8 | 1, 16 | | |
| U2 | MC10106 | 8 | 1, 16 | | |
| U3 | MC12040 | 7 | 1, 14 | | |
| U4 | LF555 | | | | |
| U5 | MC10137 | 8 | 1, 16 | | |
| U6 | MC10137 | 8 | 1, 16 | | |
| U7 | MC10137 | 8 | 1, 16 | | |
| U8 | 11C90 | 12, 13 | 4, 5 | | |
| U9 | 11C90 | 4, 5, 6, 7 | 12, 13, 14 | | |
| U10 | 5N74196 | 14 | 7 | | |
| U11 | 74LS390 | 16 | 2, 14, 8 | | |
| U12 | 4528 | 3, 5, 16 | 8, 13 | | |
| U13 | 74LS132 | 14 | 7 | | |
| U14 | LM311 | 8 | 1 | | |
| U15 | 78L05 | 3 | 2 | | |

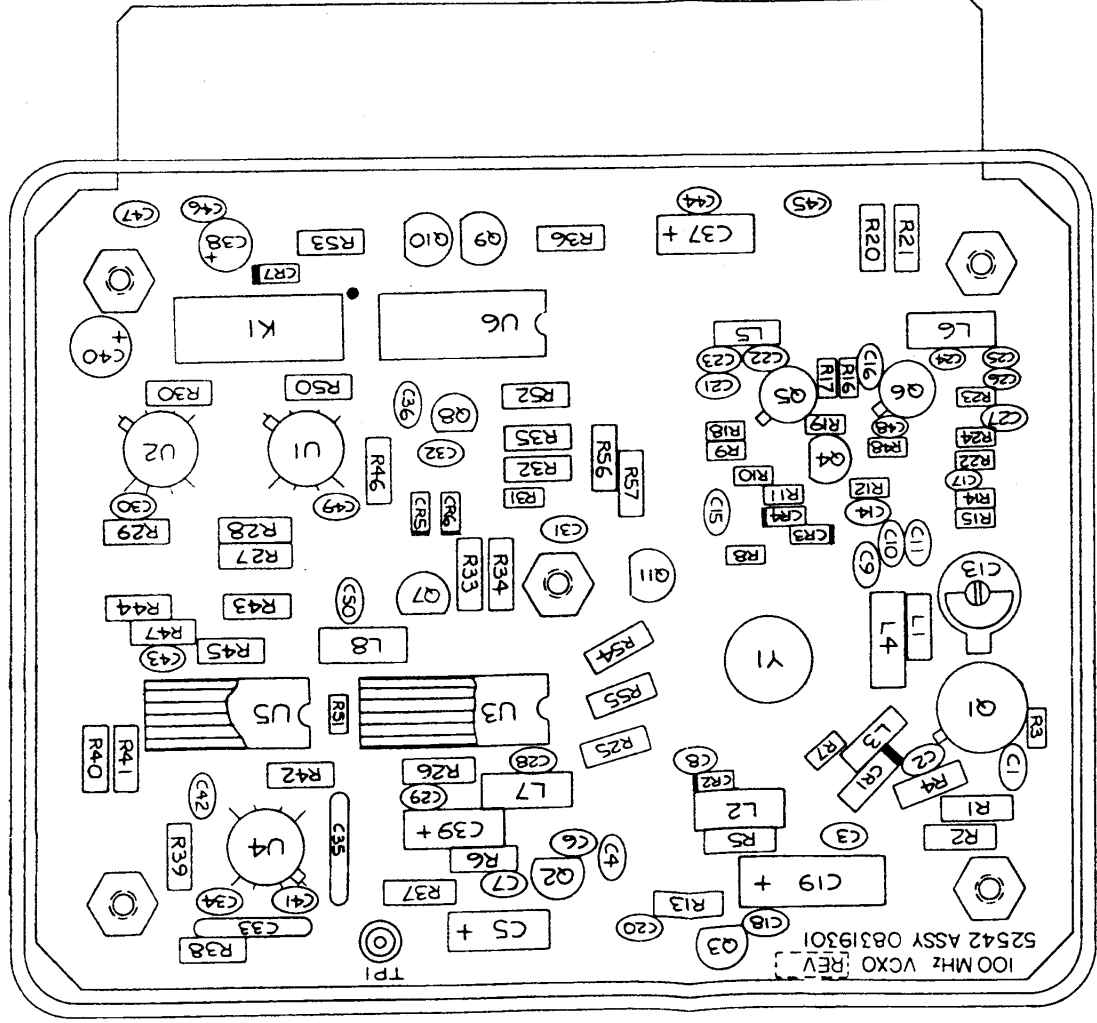
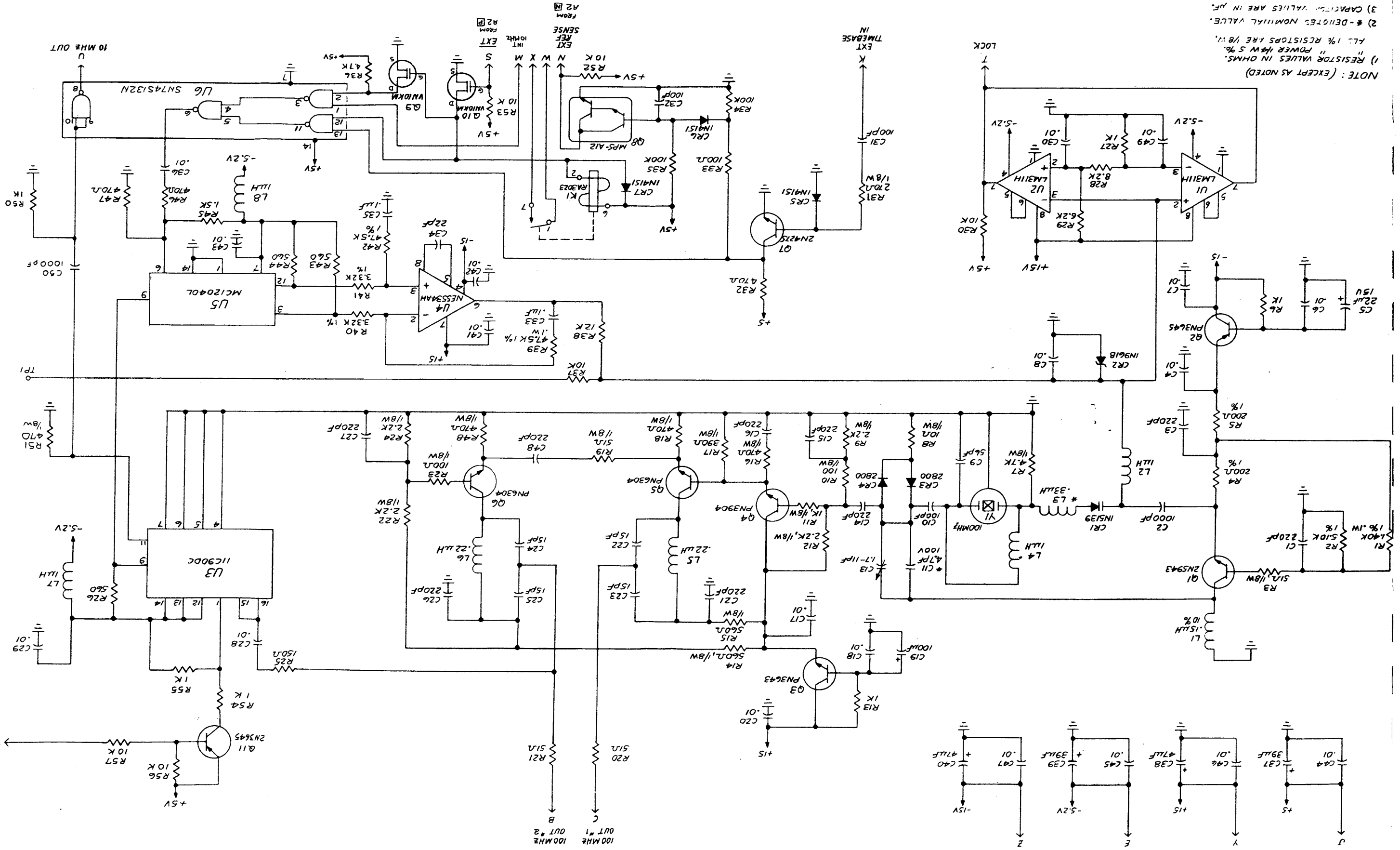


Figure 5-20. 100 MHz Voltage Controlled Crystal Oscillator A12 P.C. Board Assembly
 (Syston Donner No. 08319301)

INJECTION FROM P2



NOTE: (EXCEPT AS NOTED)
 1) RESISTOR VALUES IN OHMS.
 2) * DENOTES NOMINAL VALUE.
 3) CAPACITOR VALUES ARE IN μF.

Figure 5-21. 100 MHz Voltage Controlled Crystal Oscillator A12 Schematic (System Donner No. 708319301)

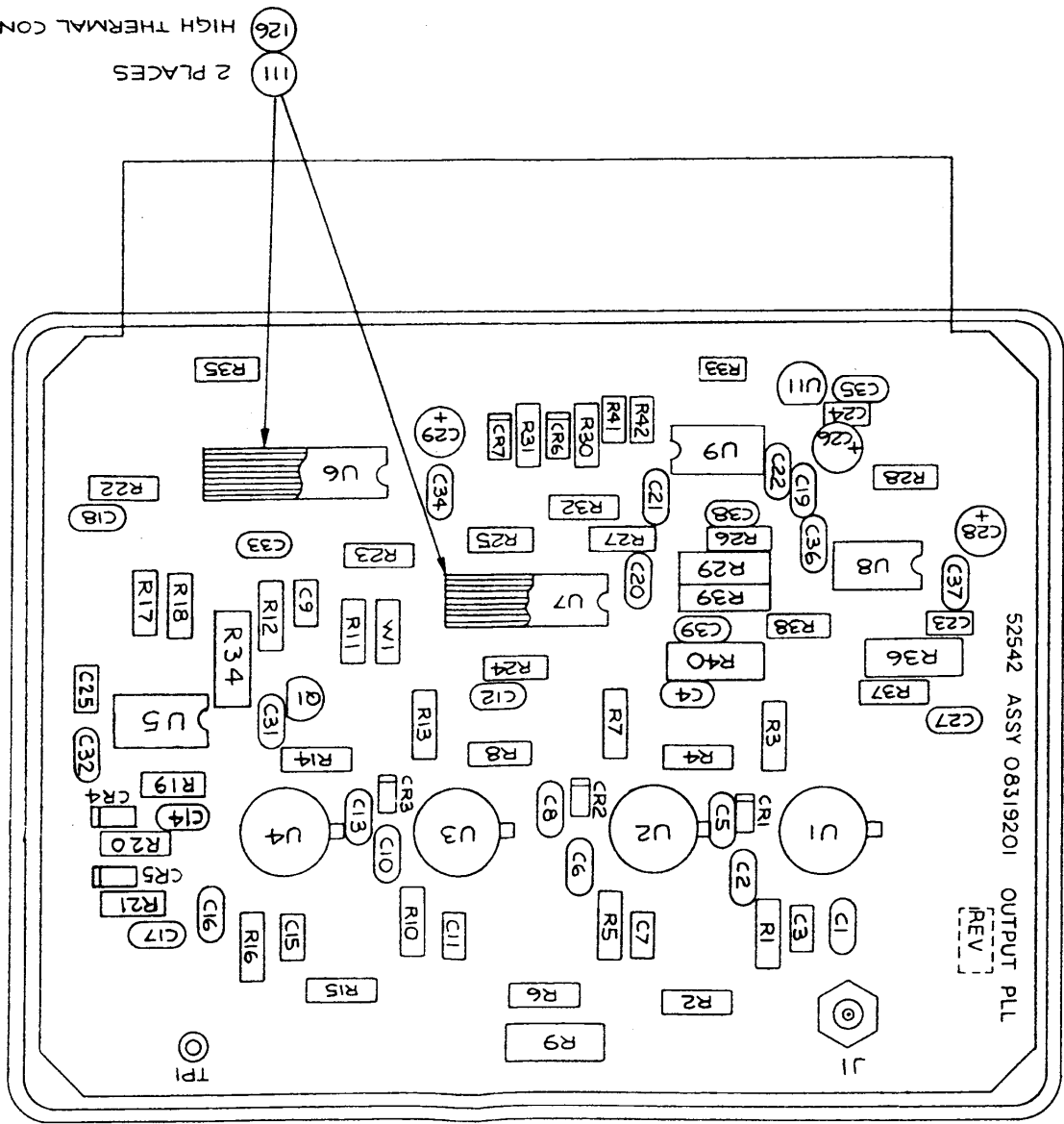
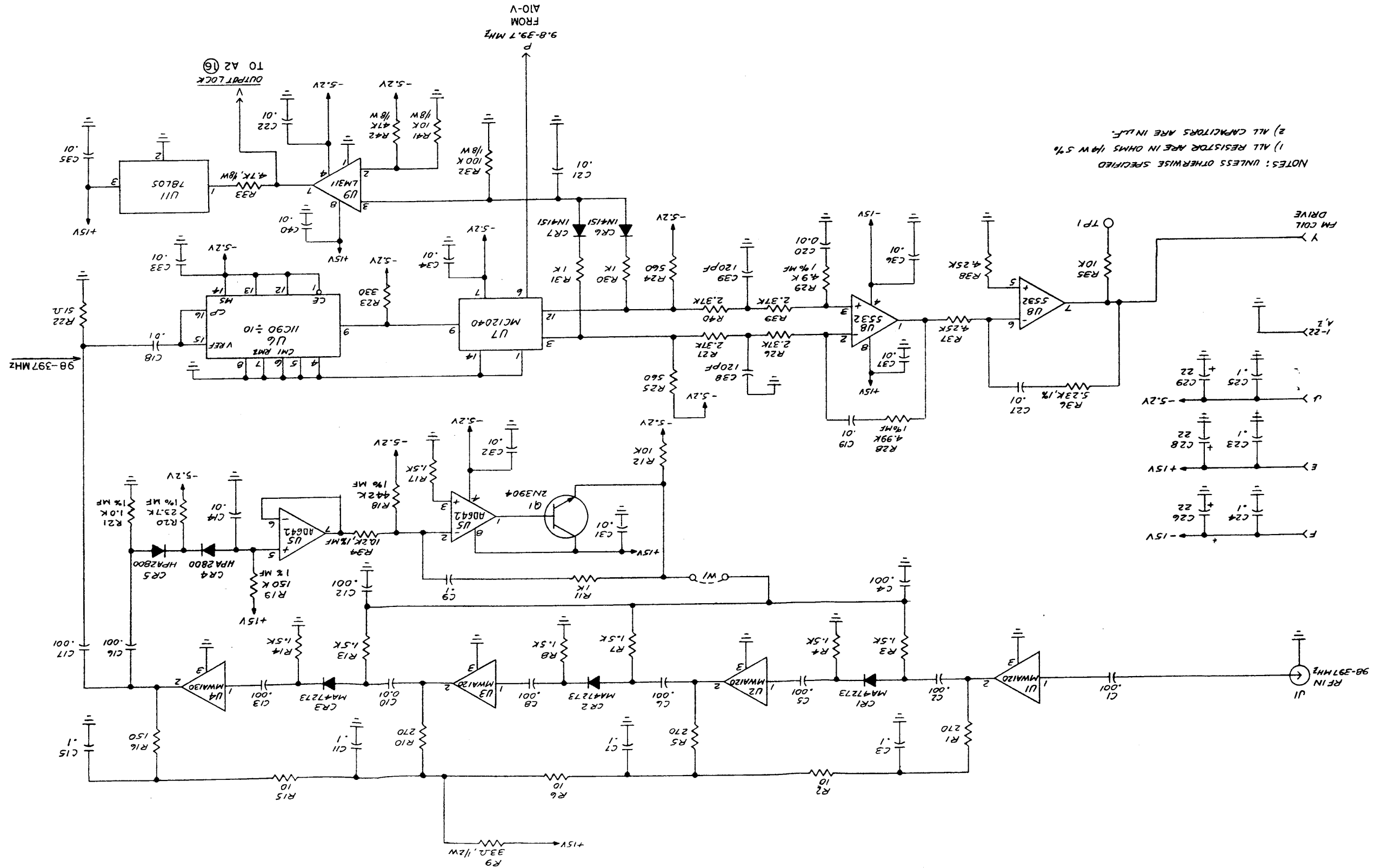


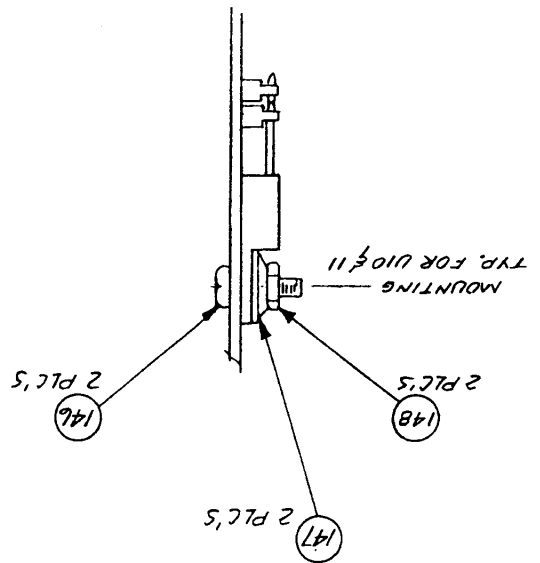
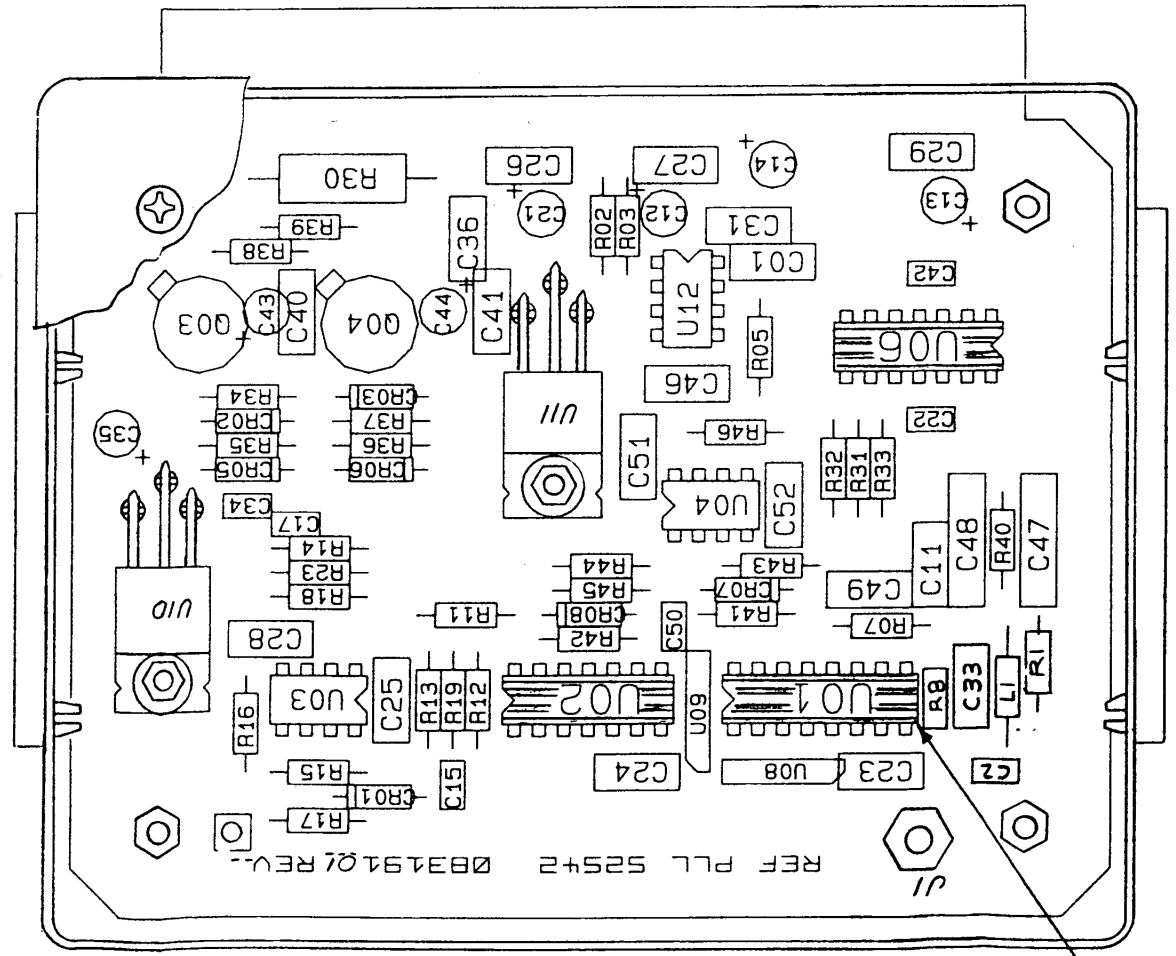
Figure 5-22. Output Phase-Locked Loop A13 P.C. Board Assembly (Syston Donner No. 08319201)

Figure 5-23. Output Phase-Locked Loop A13 Schematic (System Donner No. 708319201)

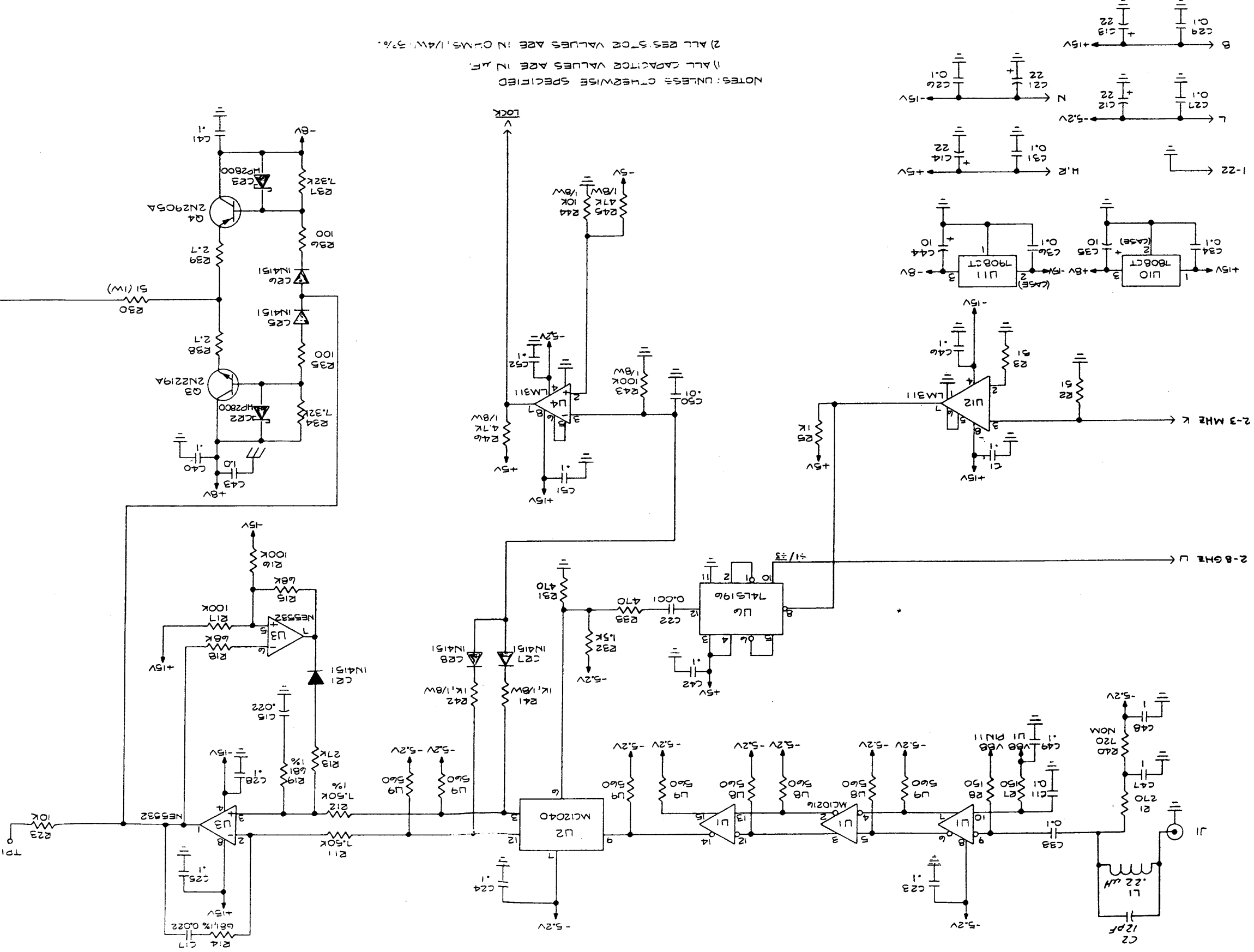


NOTES: UNLESS OTHERWISE SPECIFIED
1) ALL RESISTORS ARE IN OHMS 1/4W 5%
2) ALL CAPACITORS ARE IN P.F.

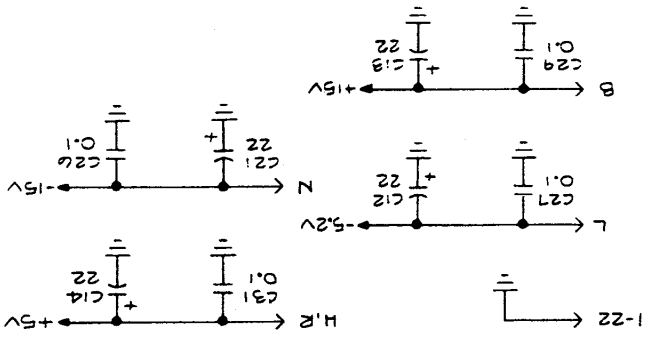
Figure 5-24. Reference Phase-Locked Loop A14 (Standard)
P.C. Board Assembly (Syston Donner
No. 08319101)



* (141) 3 PLCS
U1, U2 & U6
(160) ADHESIVE



NOTES: UNLESS OTHERWISE SPECIFIED
 1) ALL CAPACITOR VALUES ARE IN uF
 2) ALL RESISTOR VALUES ARE IN OHMS UNLESS OTHERWISE SPECIFIED



INTEGRATED CIRCUIT TABULATION

| REF # | TYPE | +5V | -5.2V | +15V | -15V | GND |
|-------|---------|-------|-------|------|------|------|
| U1 | MC10216 | | | | | |
| U2 | MC12040 | | | | | |
| U3 | NE5532 | | | | | |
| U4 | SN7231P | | | | | |
| U6 | 74LS196 | 3A,14 | | | | 7,11 |

Figure 5-25. Reference Phase-Locked Loop A14 (Standard)
 Schematic (Syston Donner No. 708319101)

Figure 5-26. Reference Phase-Locked Loop A14
(Option 03) P.C. Board Assembly
(Syston Donner No. 08319102)

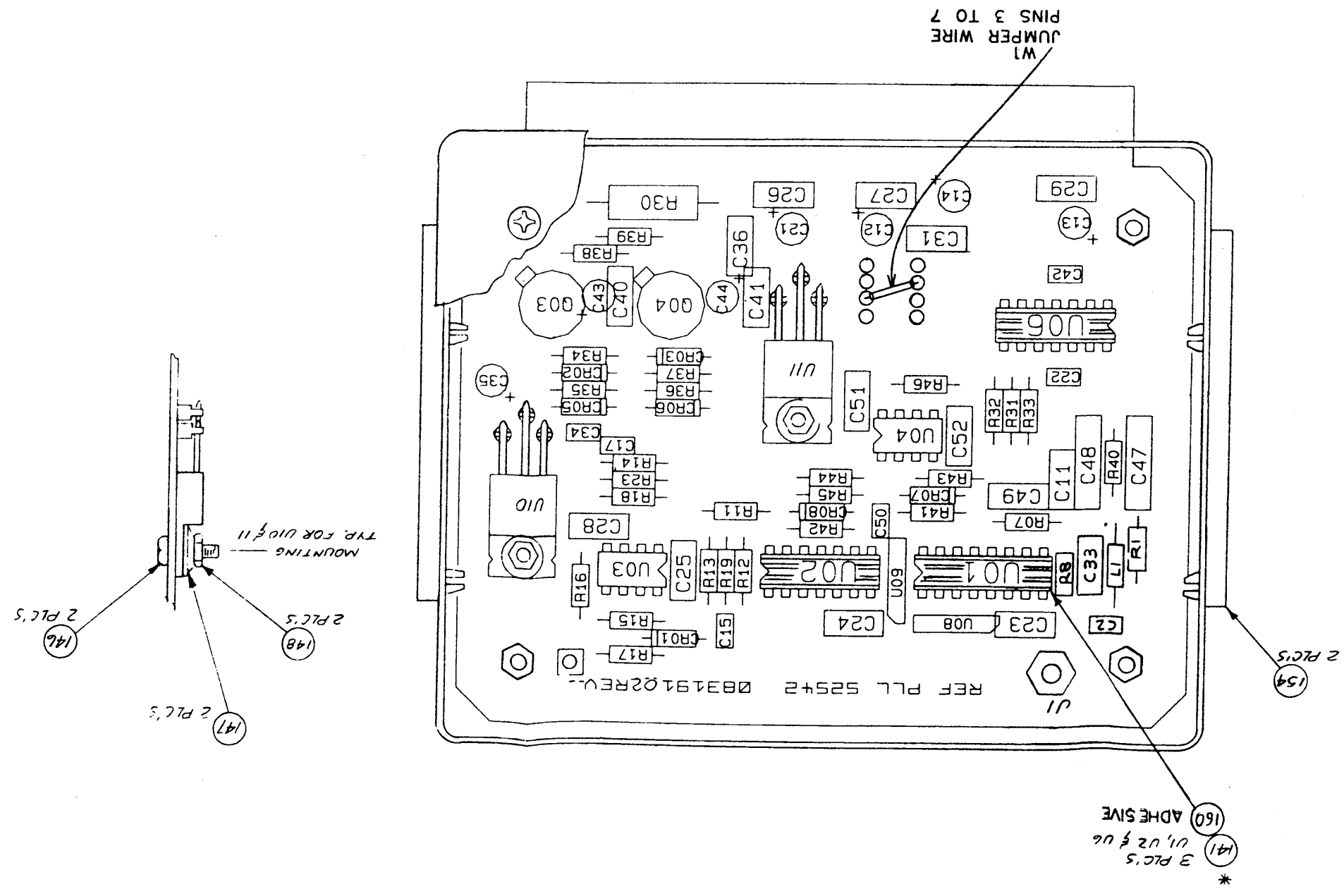
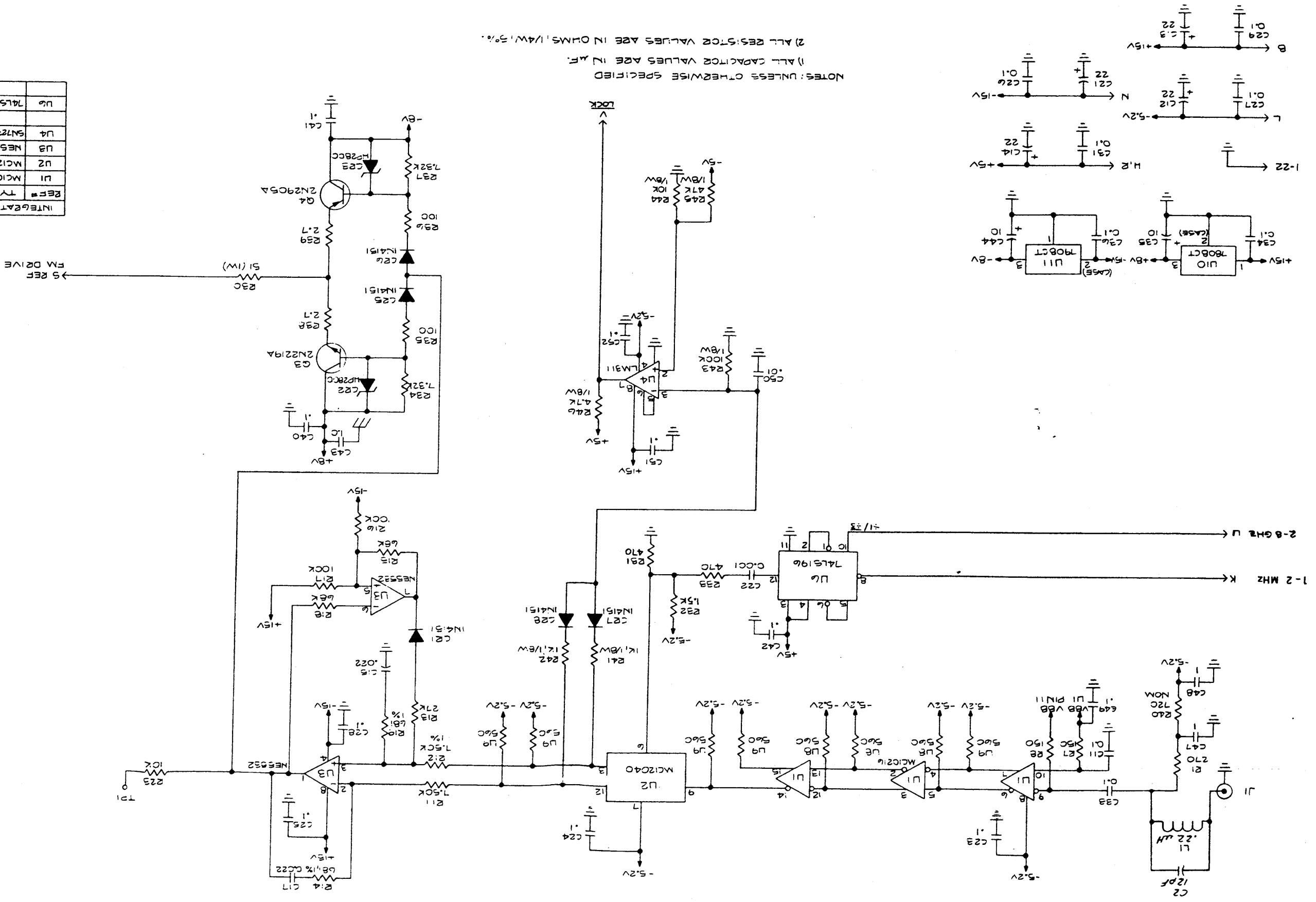


Figure 5-27. Reference Phase-Locked Loop A14 (Option 03) Schematic (Syston Donner No. 708319102)

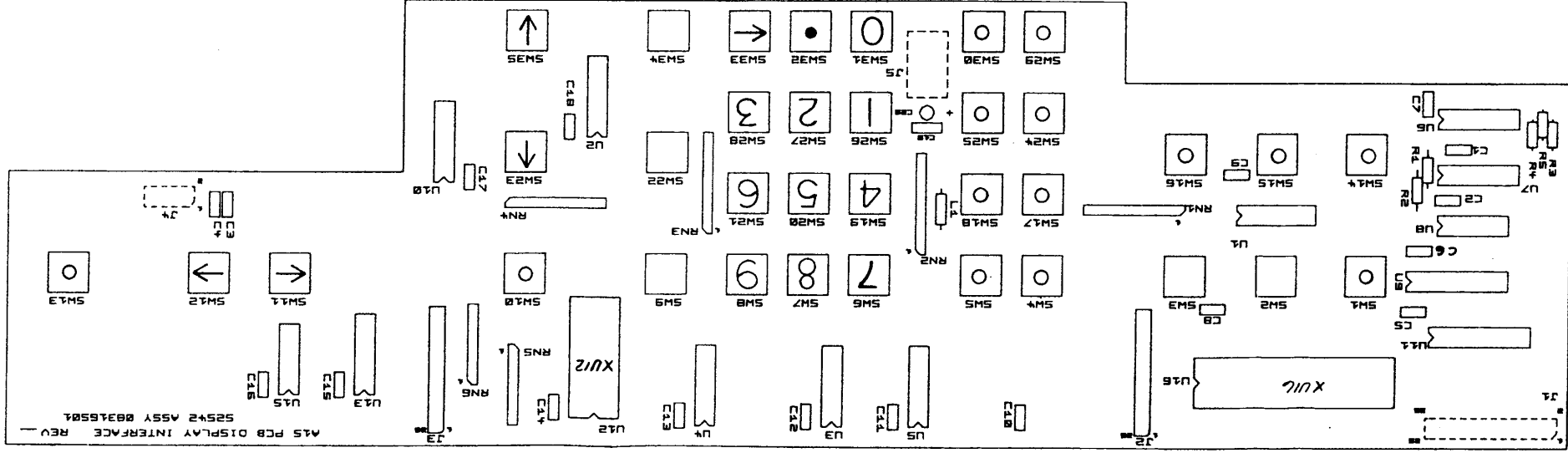
INTEGRATED CIRCUIT TABULATION

| REF# | TYPE | +5V | -5.2V | +15V | -15V | GND |
|------|---------|-----|-------|--------|------|------|
| U1 | MC10216 | 8 | 8 | | | 1,16 |
| U2 | MC12040 | | 7 | | | 1,14 |
| U3 | NE5532 | | | 8 | 4 | 1 |
| U4 | SN7231P | | | | | |
| U6 | 74LS196 | | | 3,4,14 | | 7,11 |



NOTES: UNLESS OTHERWISE SPECIFIED
 1) ALL CAPACITOR VALUES ARE IN P.F.
 2) ALL RESISTOR VALUES ARE IN OHMS, UNLESS OTHERWISE SPECIFIED.

Figure 5-28. Display Interface A15 P.C. Board Assembly
(Syston Donner No. 08316501)



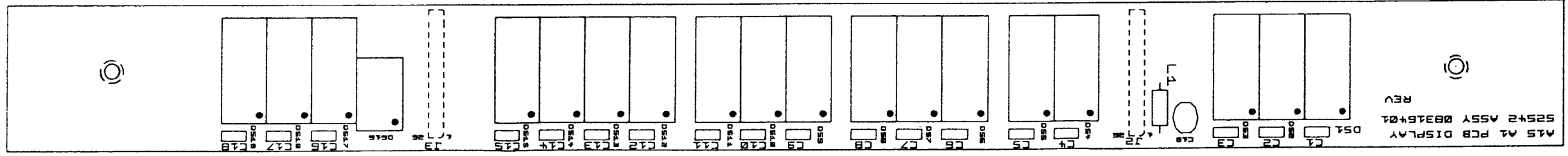
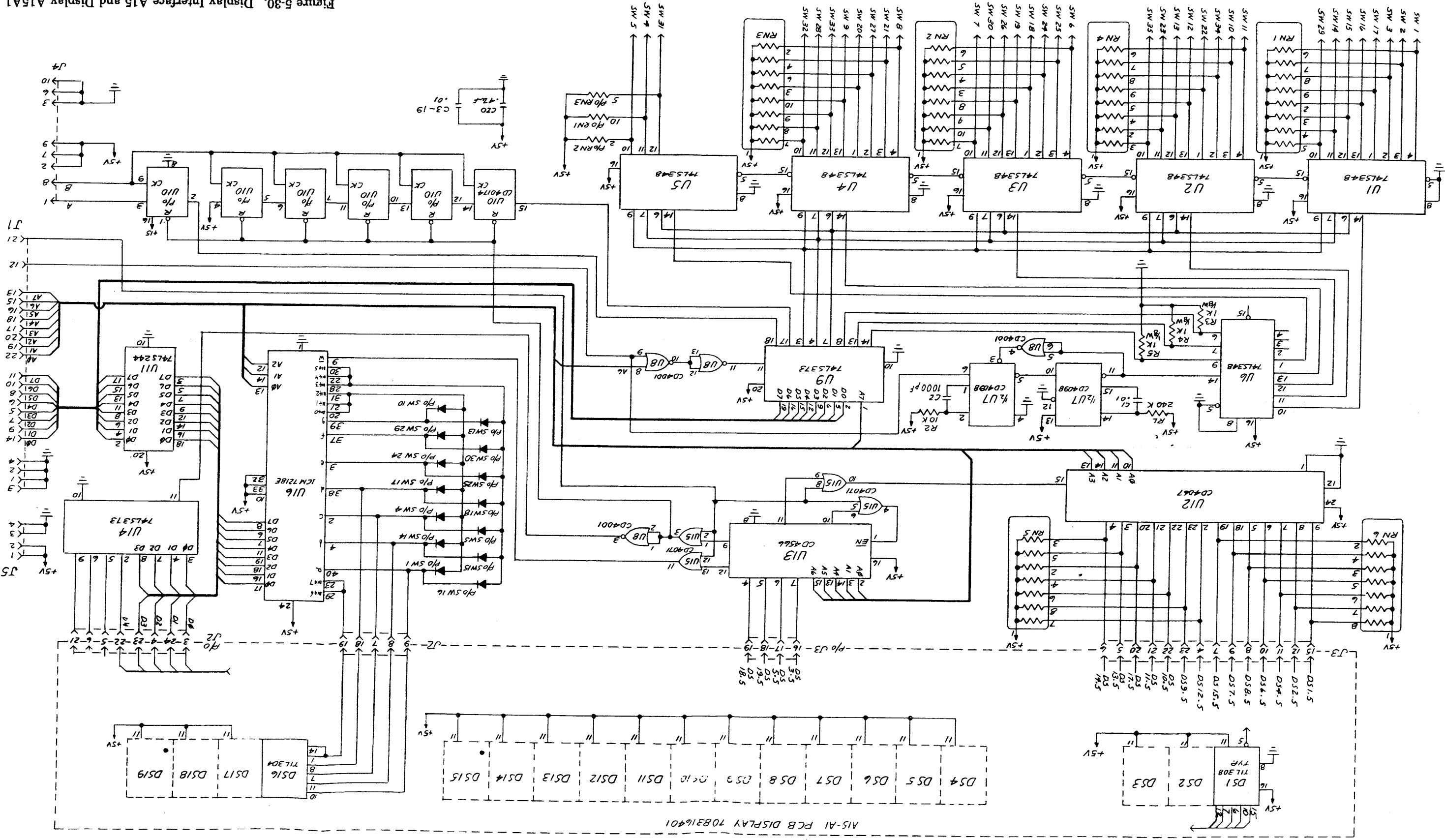


Figure 5-29. Display A15A1 P.C. Board Assembly
 (Systrom Donner No. 08316401)

Figure 5-30. Display Interface A15 and Display A15A1 Schematic (Systrom Donner No. 708316501)



A15-A1 PCB DISPLAY 708316401

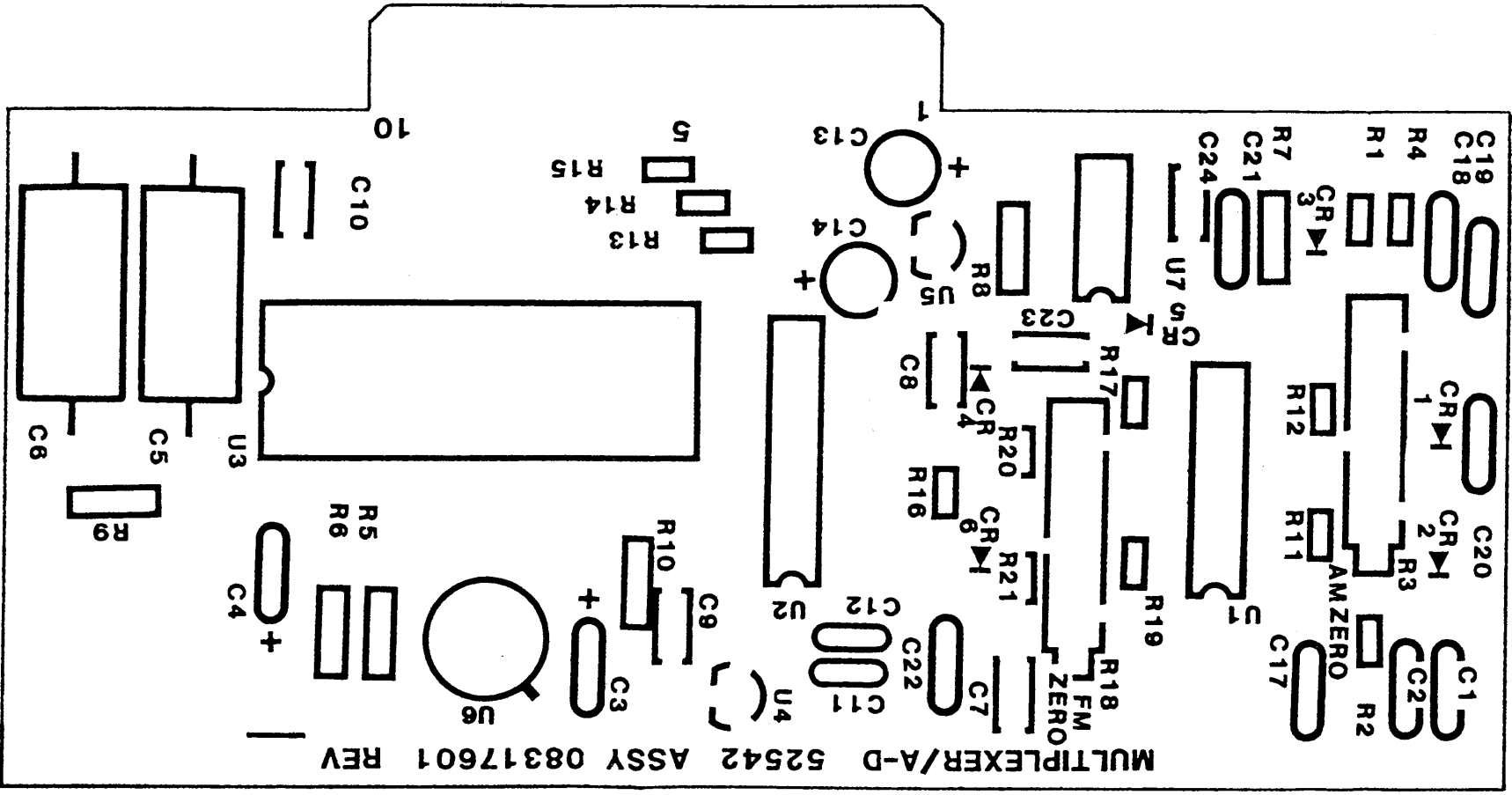
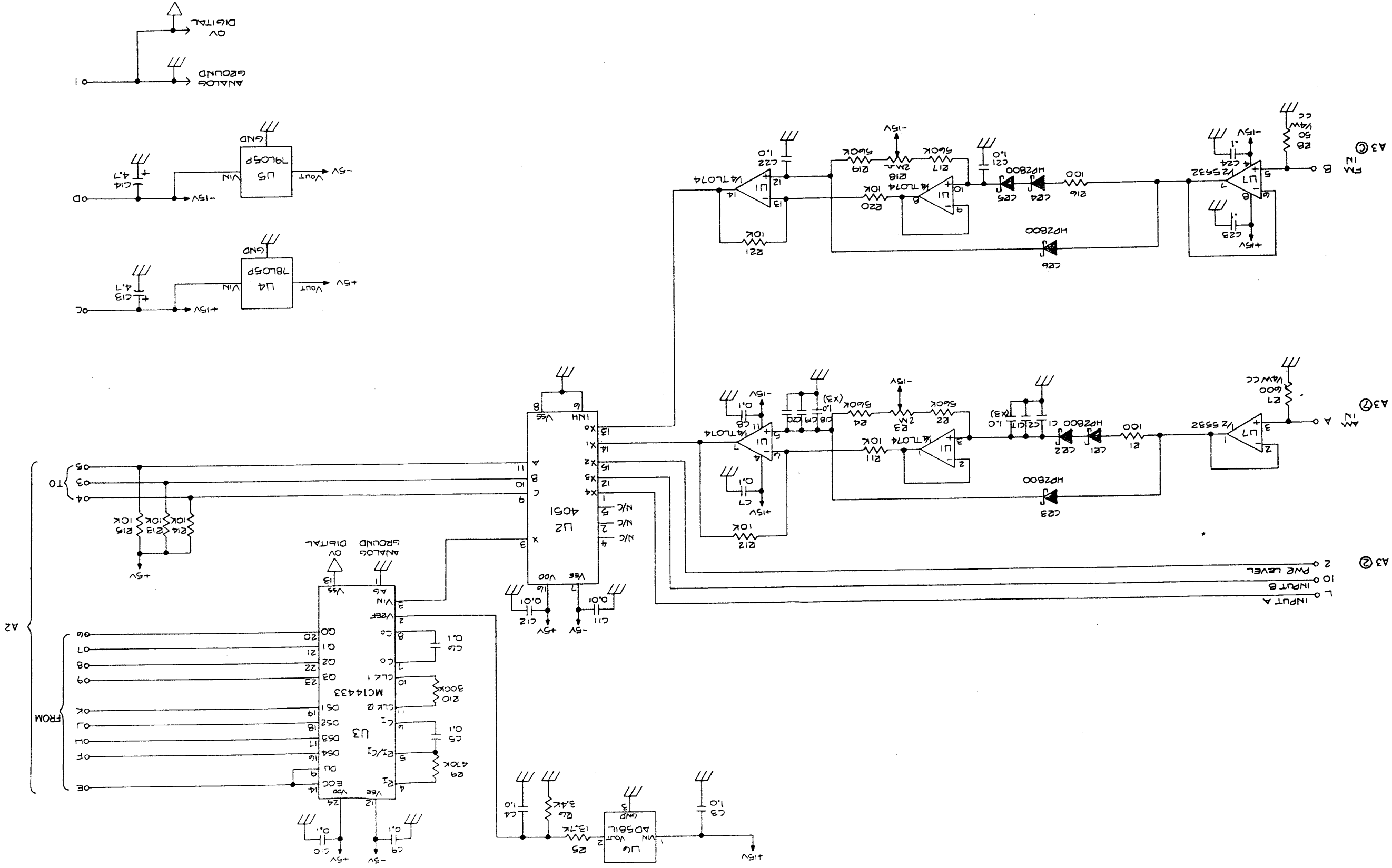


Figure 5-31. Analog-to-Digital and Multiplexer A16
P.C. Board Assembly
(Syston Donner No. 08317601)

Figure 5-32. Analog-to-Digital and Multiplexer A16
Schematic (System Donner No. 708317601)

NOTES: UNLESS OTHERWISE SPECIFIED
1. RESISTOR VALUES ARE IN OHMS, 1/4W, 5%.
2. CAPACITORS ARE IN MICROFARADS.



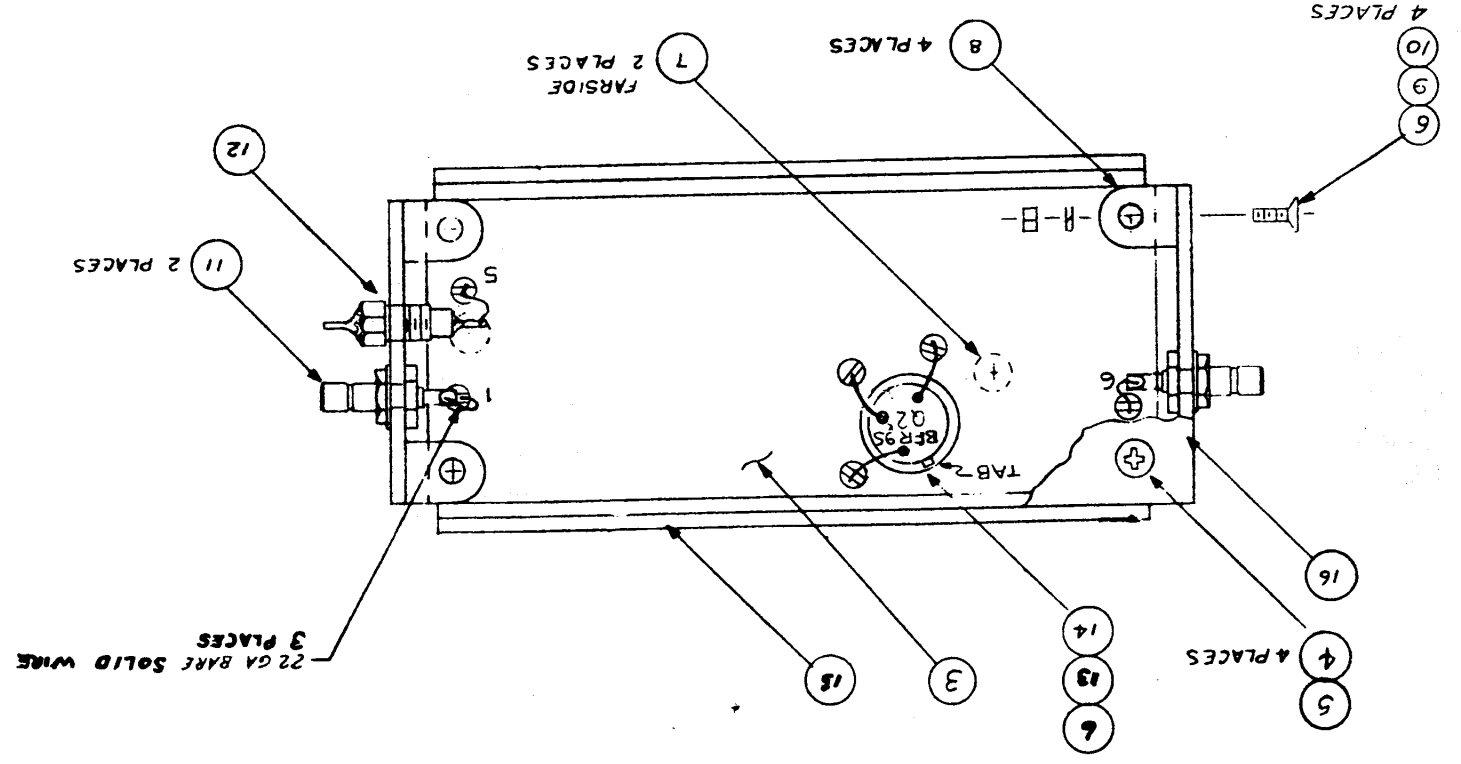
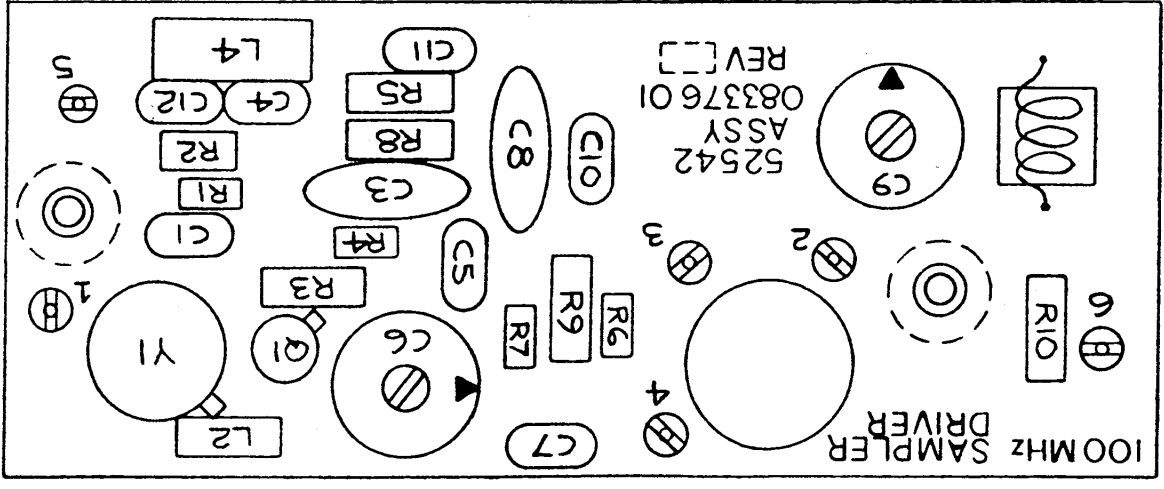


Figure 5-33. Sampler Driver A19/A20 P.C. Board Assembly (Syston Donner No. 08337601)

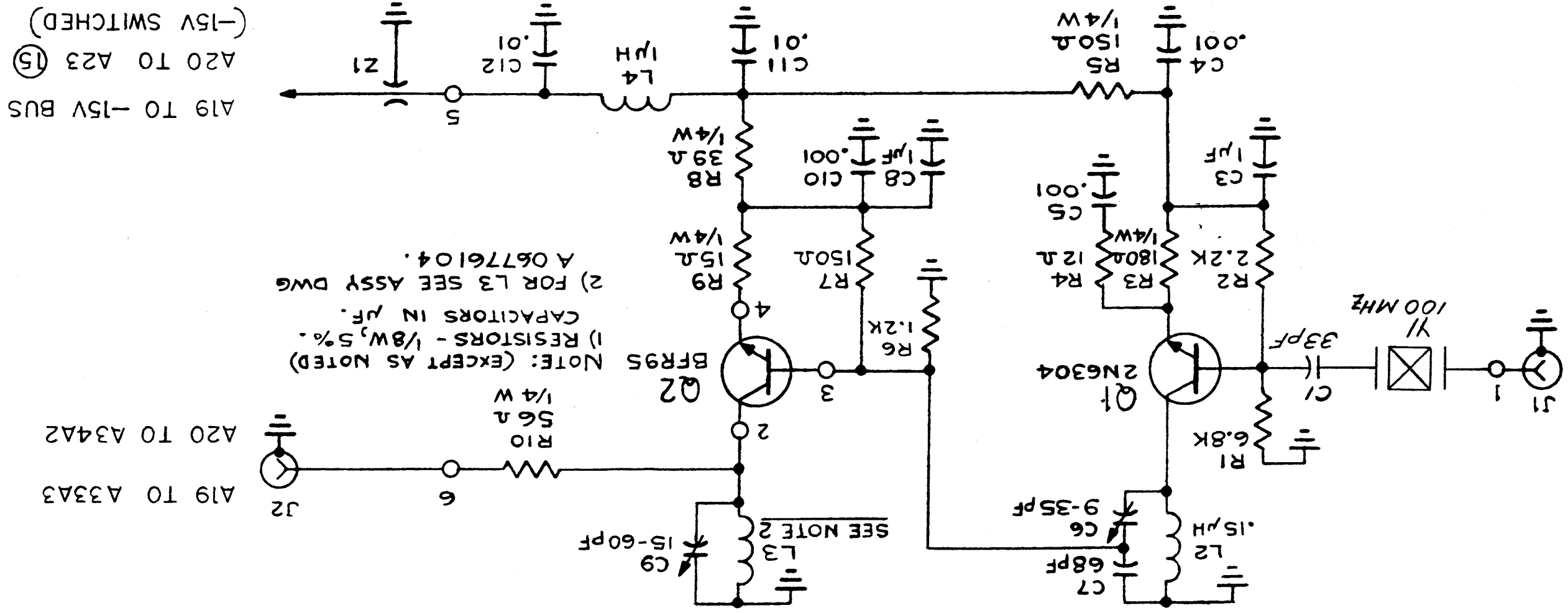


Figure 5-34. Sampler Driver A19/A20 Schematic
 (Syston Donner No. 708337601)

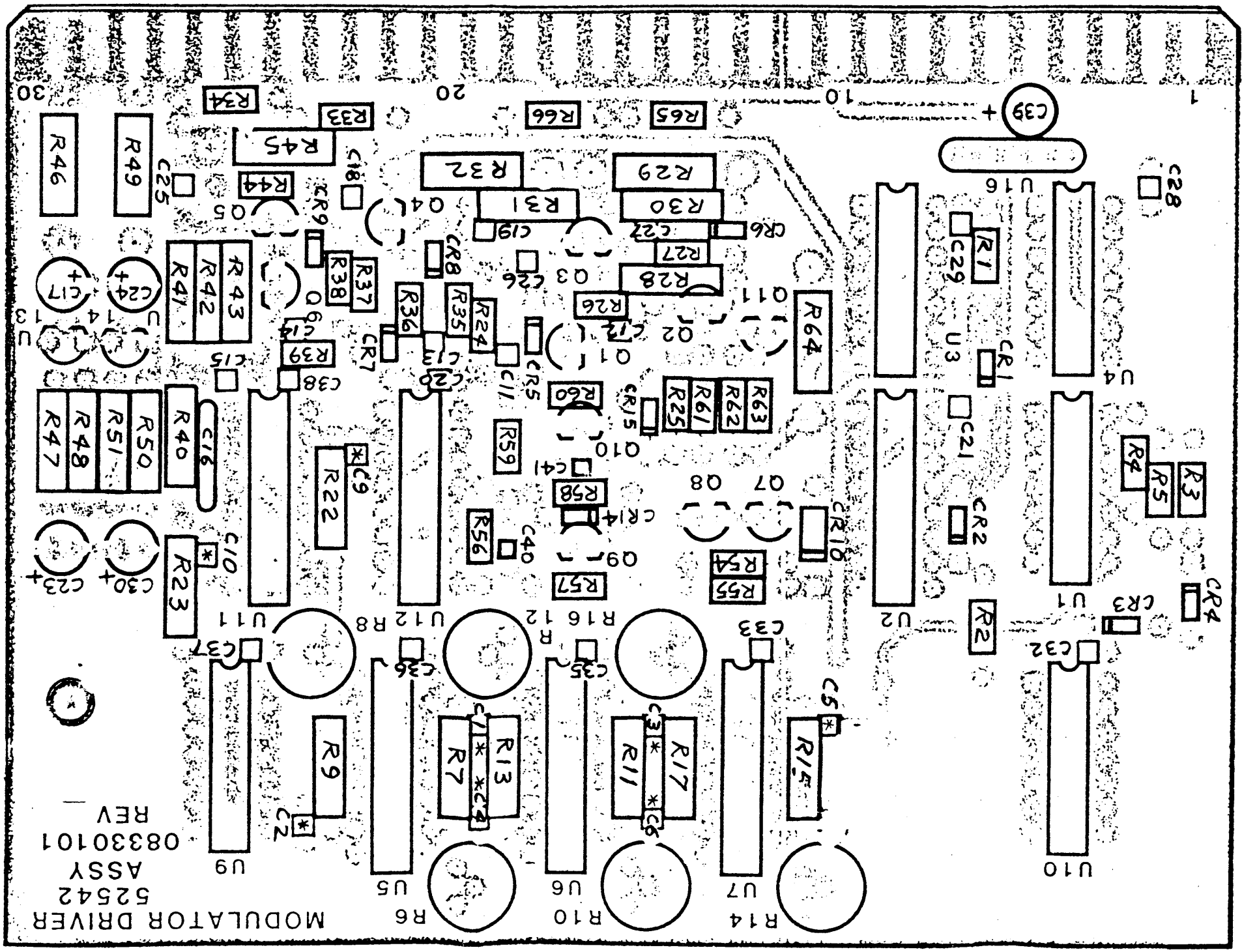
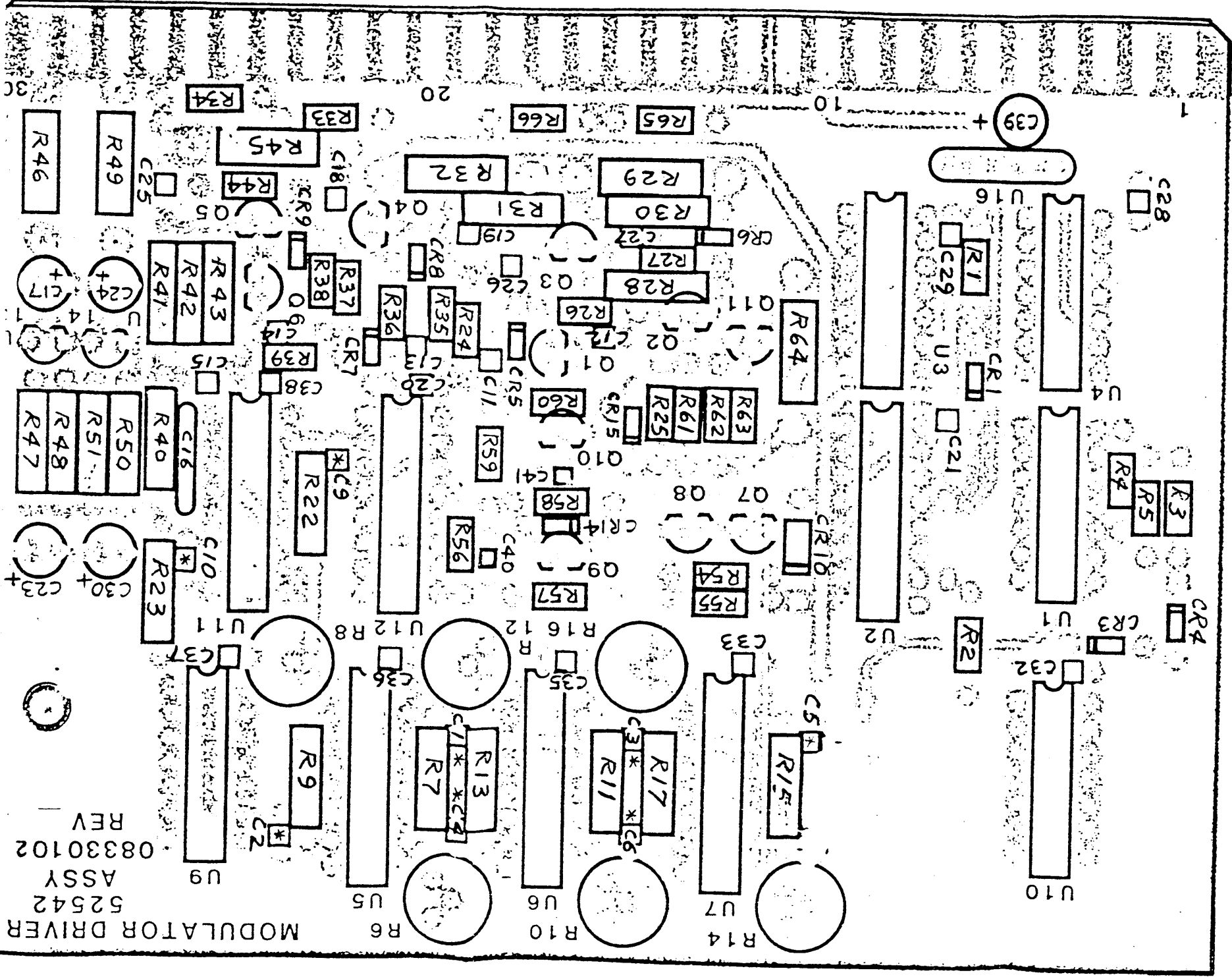
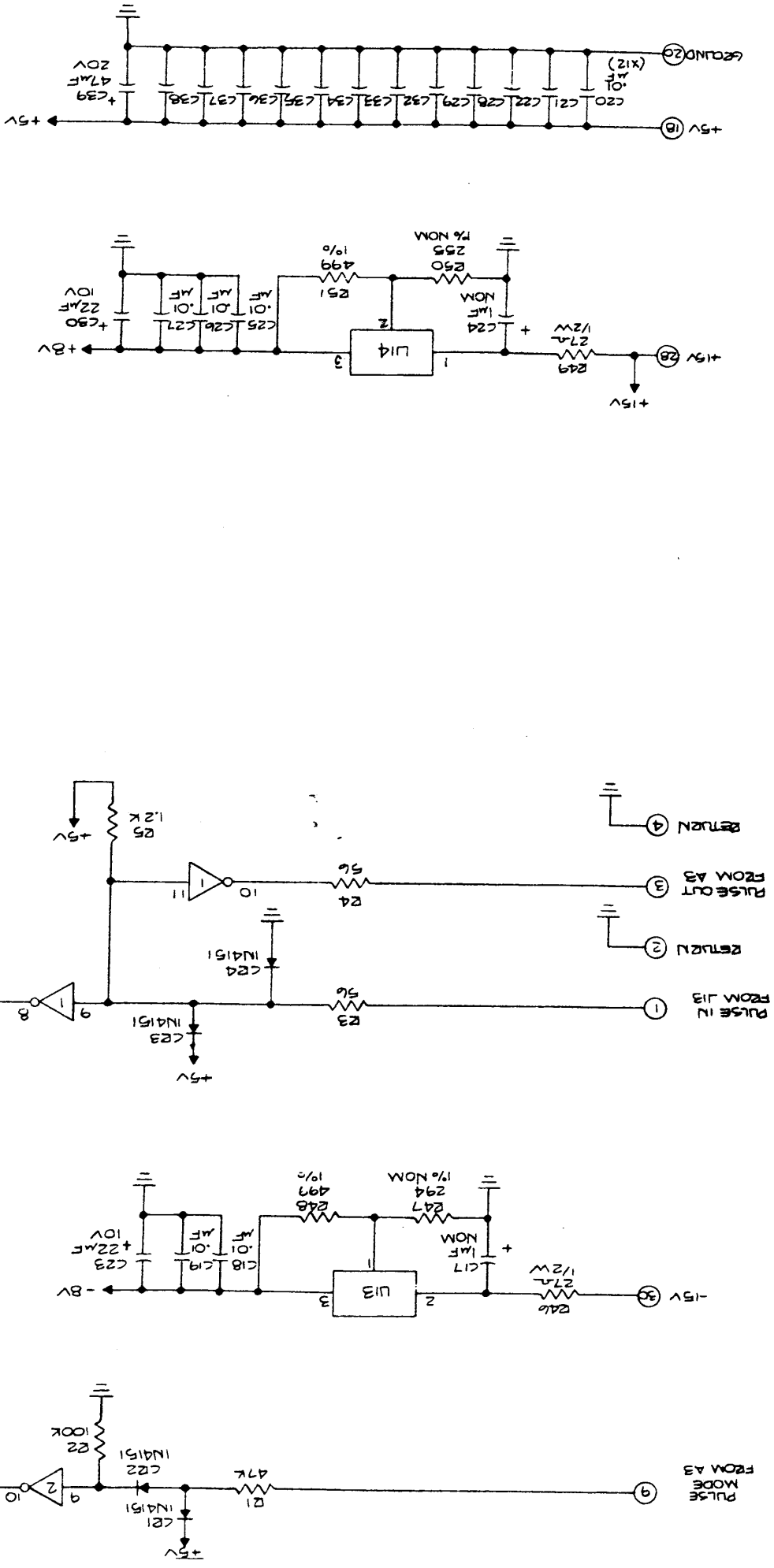


Figure 5-35. Pulse Modulator Driver A23 (Standard)
 P.C. Board Assembly
 (Syston Donner No. 08330101)

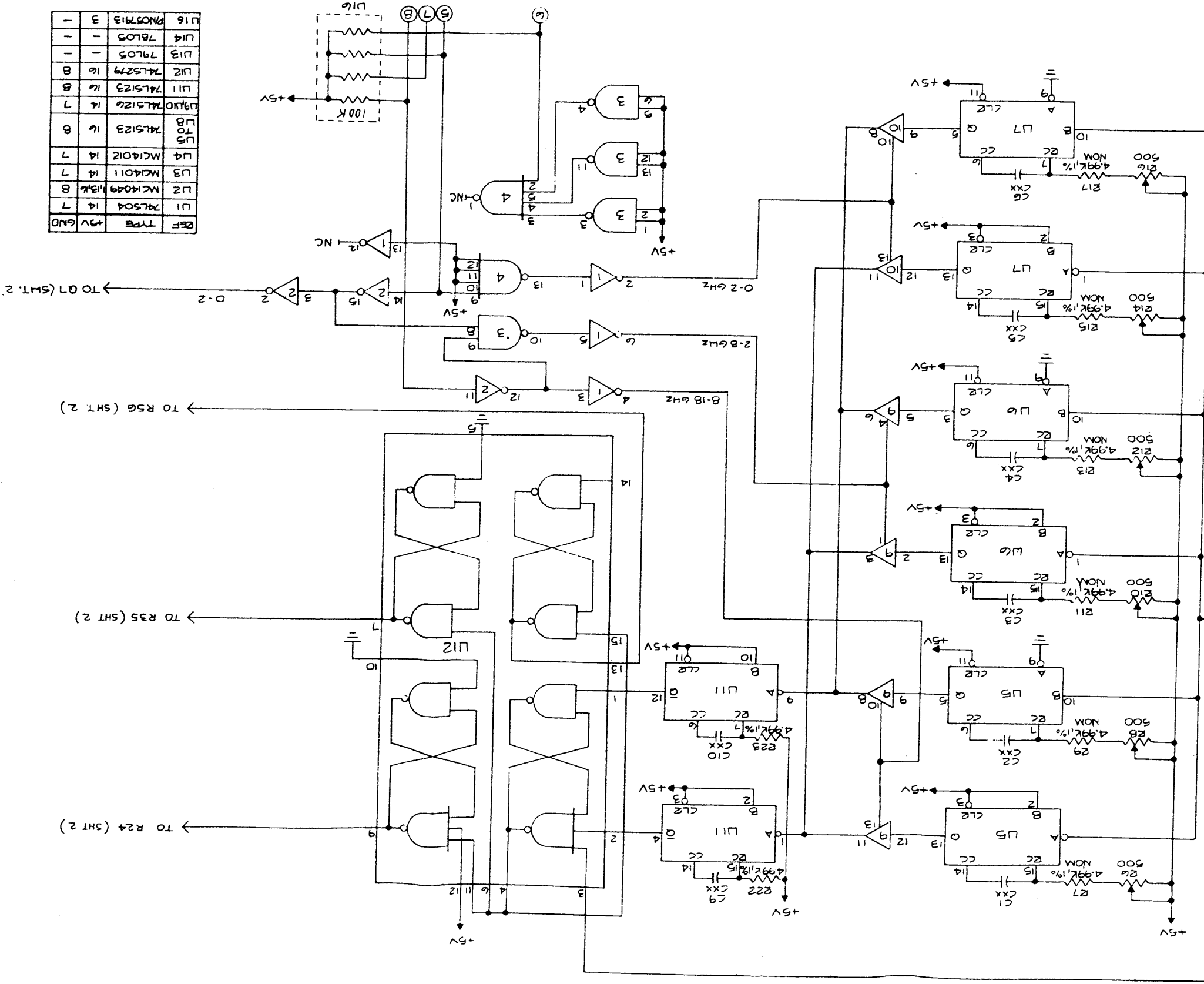


MODULATOR DRIVER
 52542
 ASSY
 08330102
 REV

Figure 5-36. Pulse Modulator Driver A23 (Option S6002) P.C. Board Assembly
 (Syston Donner No. 08330102)



NOTES: UNLESS OTHERWISE SPECIFIED,
 1. ALL RESISTORS ARE 1/4W, 5%
 2. ALL 1% RESISTORS ARE 100PPM ZNS5.



| REF | TYPE | VAL | QTY |
|-----|---------|-----|-----|
| U1 | 74LS04 | 14 | 7 |
| U2 | MC14049 | 13A | 8 |
| U3 | MC14011 | 14 | 7 |
| U4 | MC14012 | 14 | 7 |
| U5 | 74LS123 | 16 | 8 |
| U6 | 74LS123 | 16 | 8 |
| U7 | 74LS123 | 16 | 7 |
| U8 | 74LS123 | 16 | 8 |
| U9 | 74LS123 | 16 | 14 |
| U10 | 74LS123 | 16 | 14 |
| U11 | 74LS279 | 16 | 8 |
| U12 | 74LS279 | 16 | 8 |
| U13 | 74151 | 16 | 8 |
| U14 | 74151 | 16 | 8 |
| U15 | 74151 | 16 | 8 |
| U16 | 74151 | 16 | 8 |

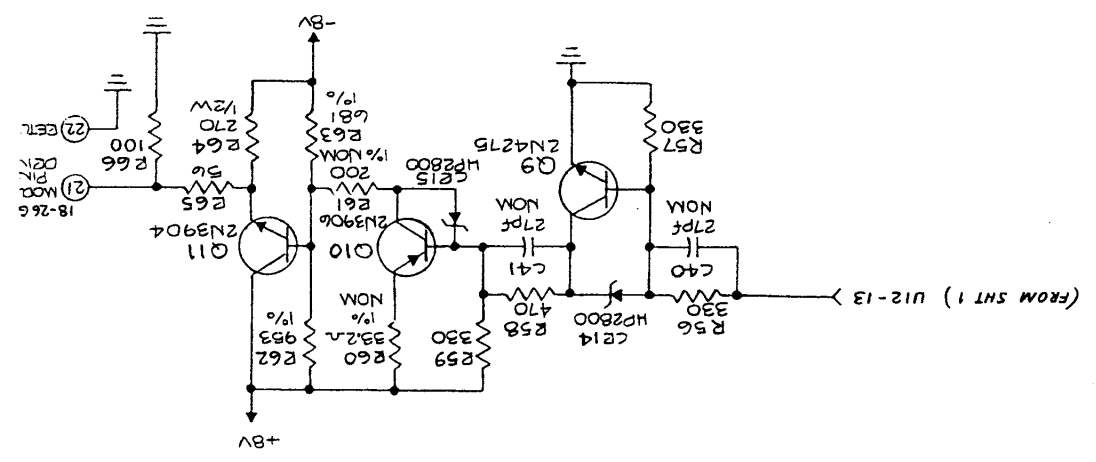
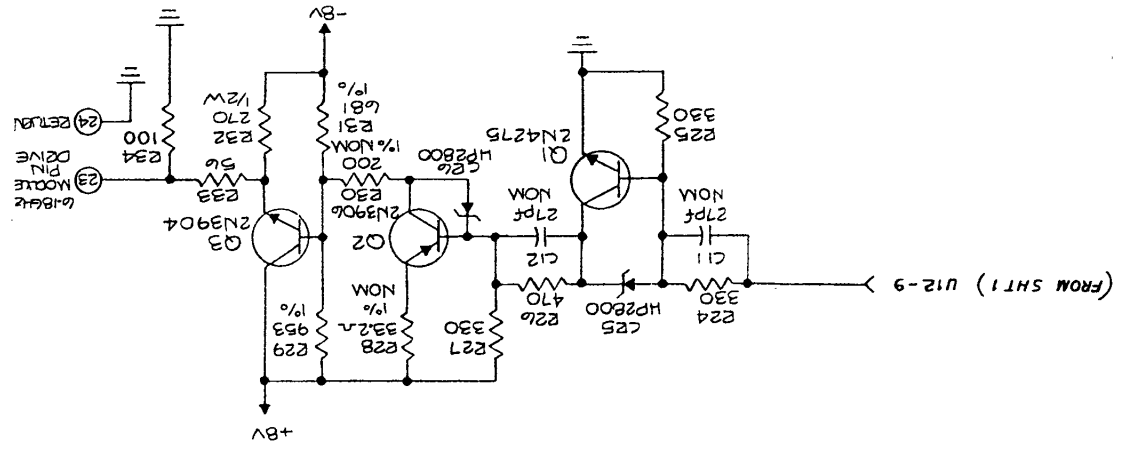
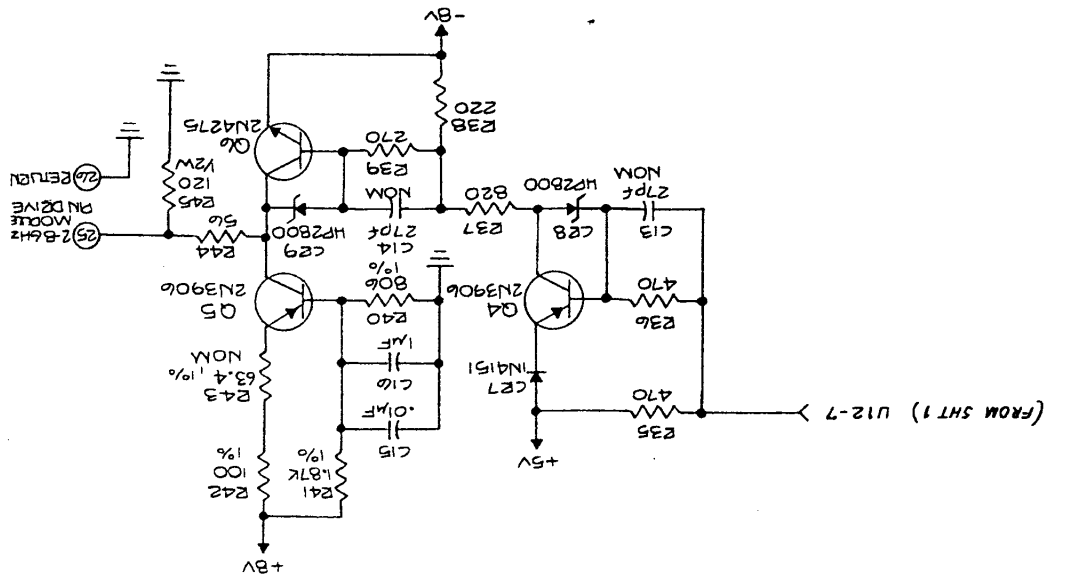
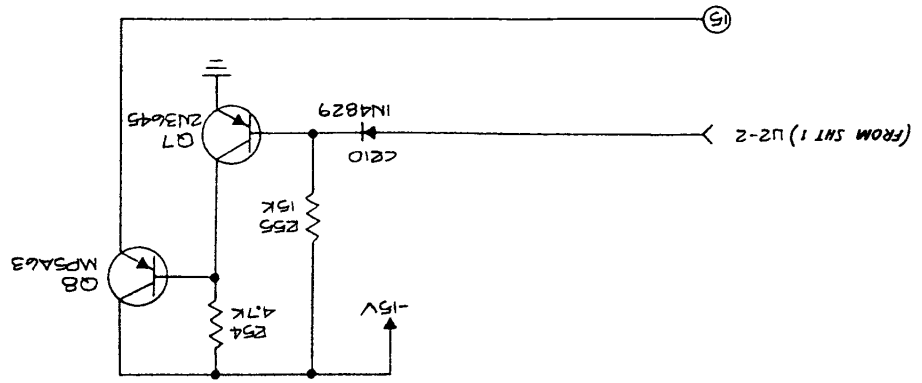
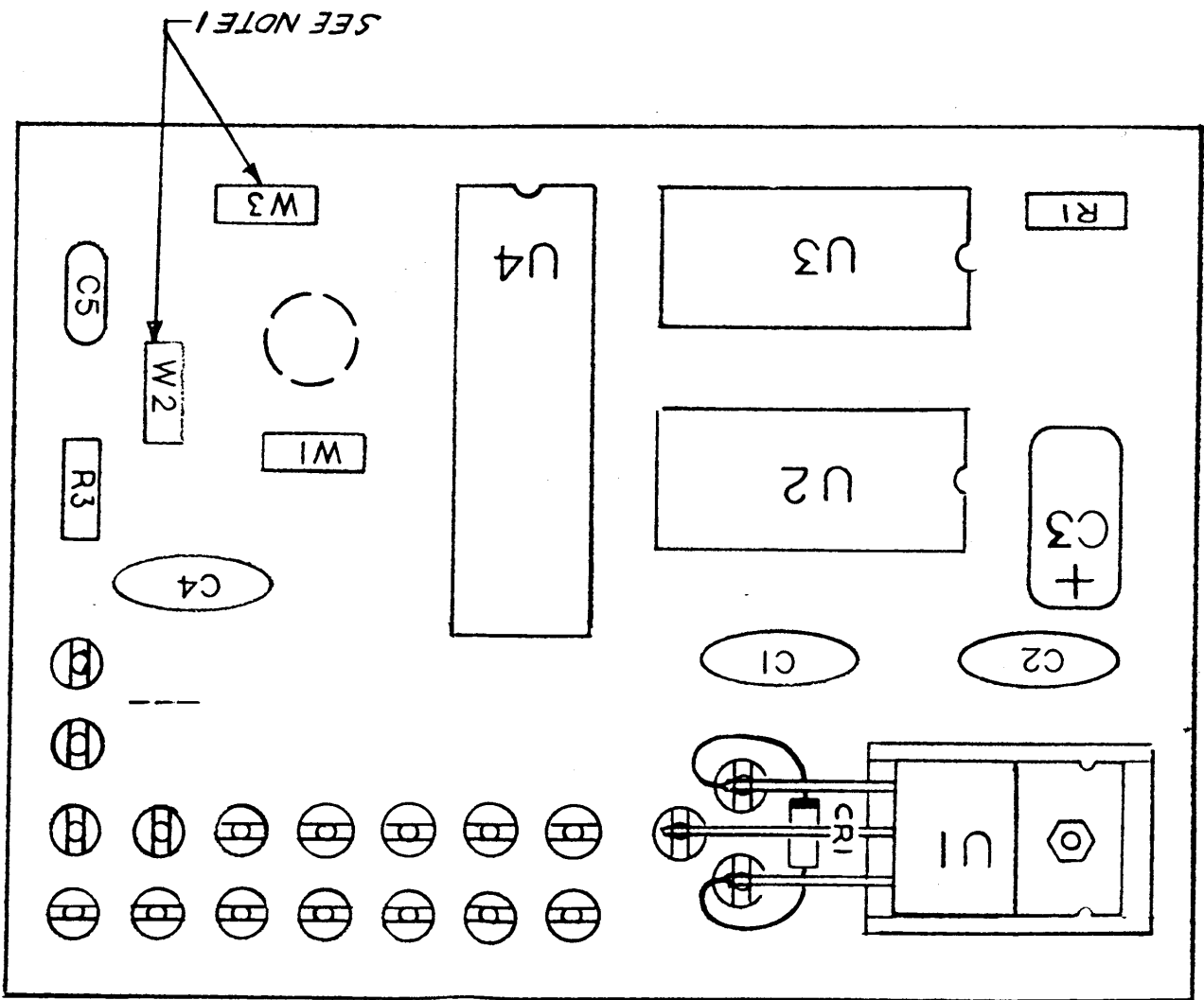
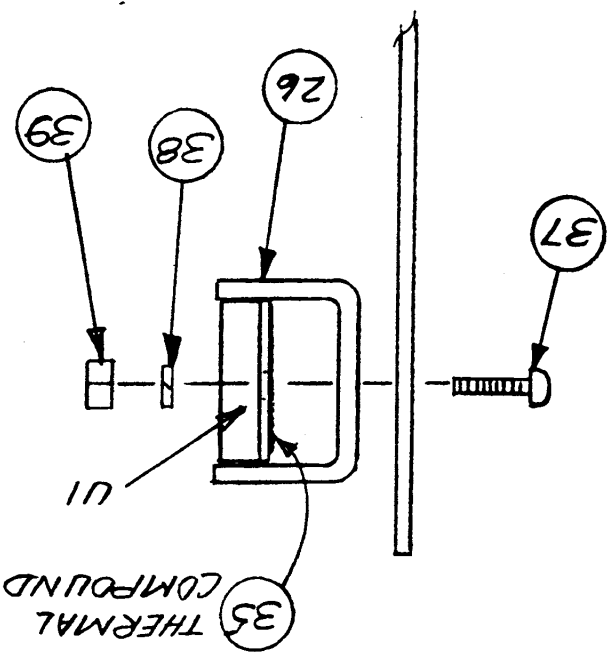


Figure 5-37. Pulse Modulator Driver A23 (Standard/
Option S6002) Schematic (System Donn
No. 708330101/708330102) (Sheet 2 of 2)

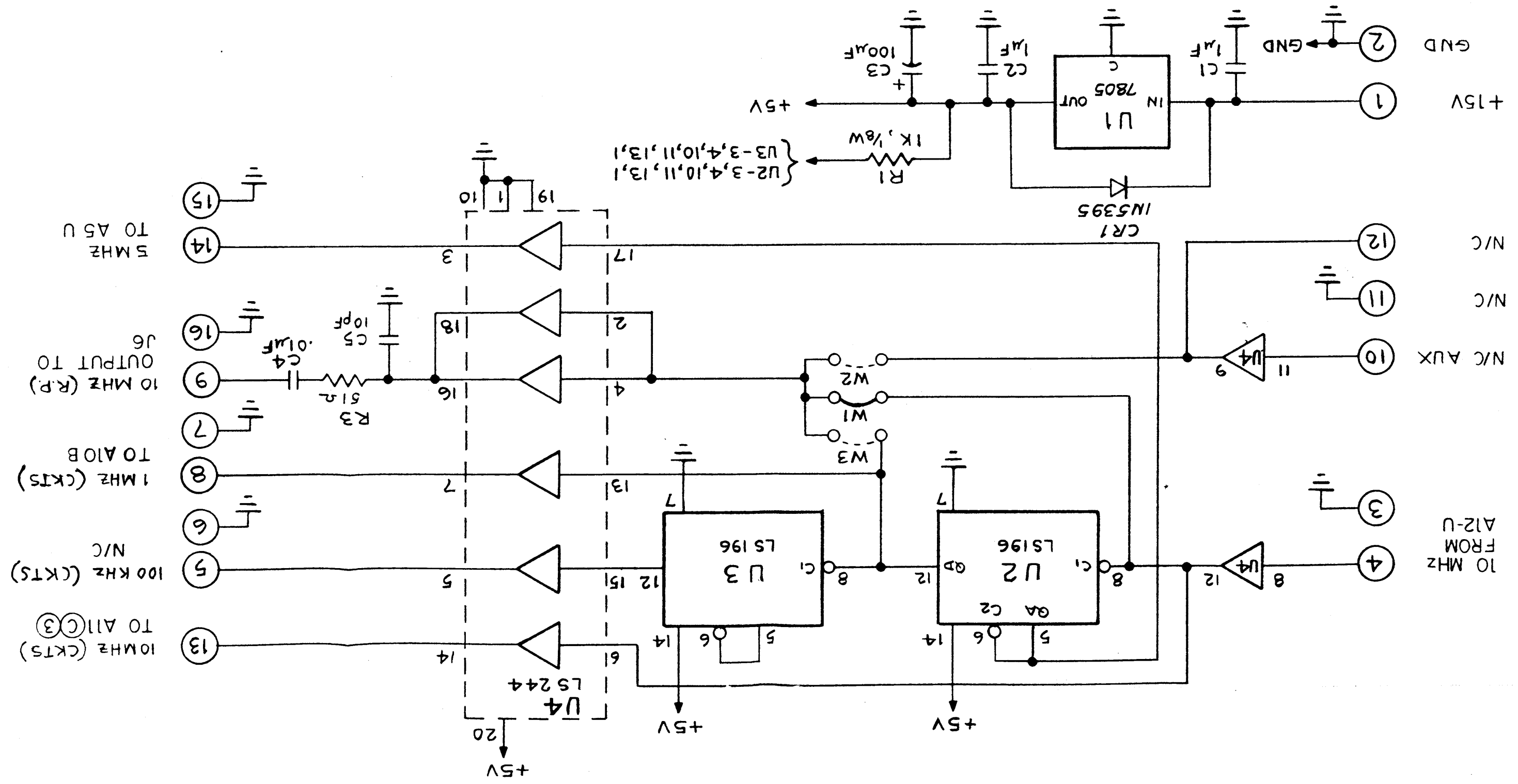


NOTES:

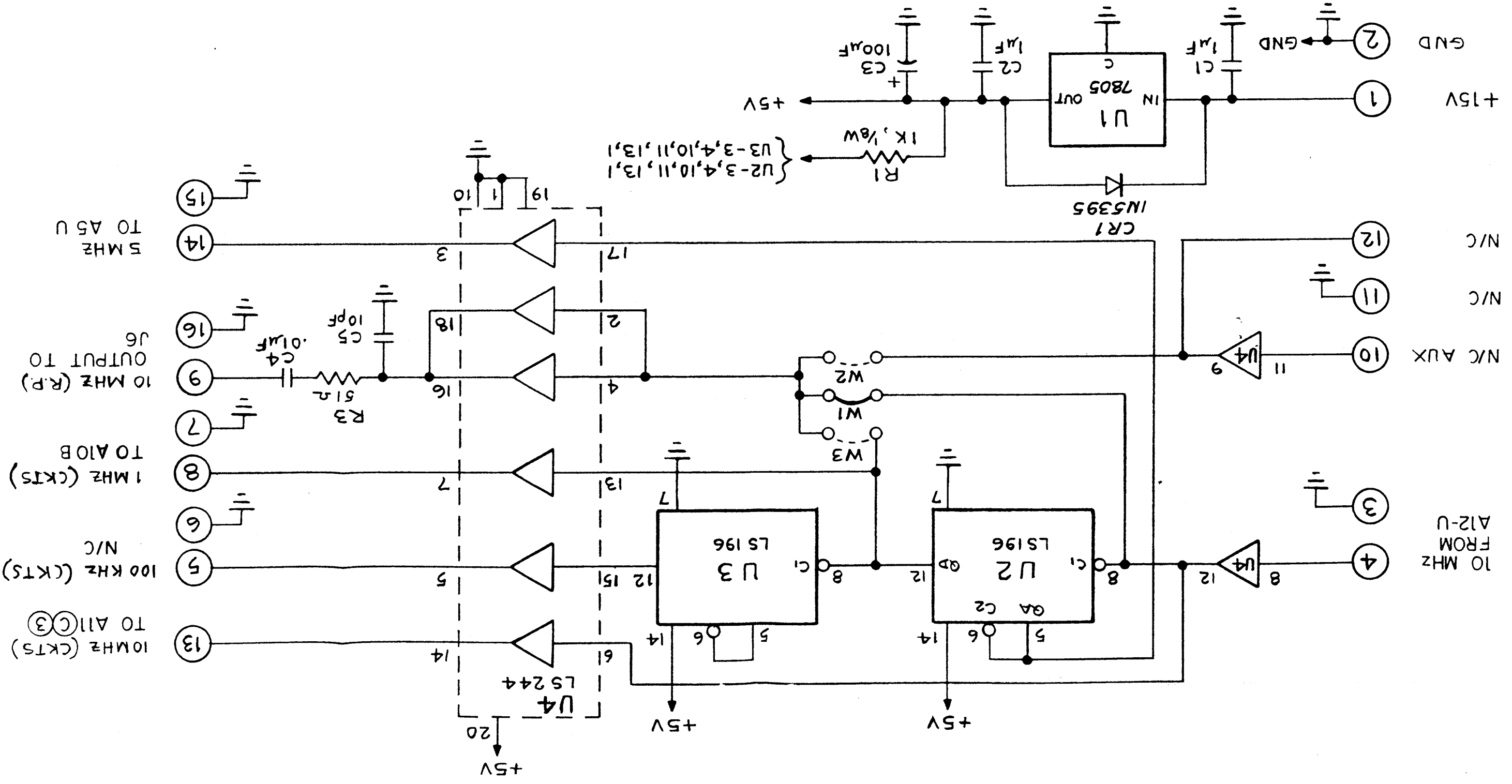
1) JUMPERS USED IN W2 & W3 POSITIONS WITH SPECIAL OPTIONS ONLY

Figure 5-38. Timebase Divider A24 P.C. Board Assembly
(Syston Donner No. 08317701)

Figure 5-39. Timebase Divider A24 Schematic
(System Donner No. 708317701)



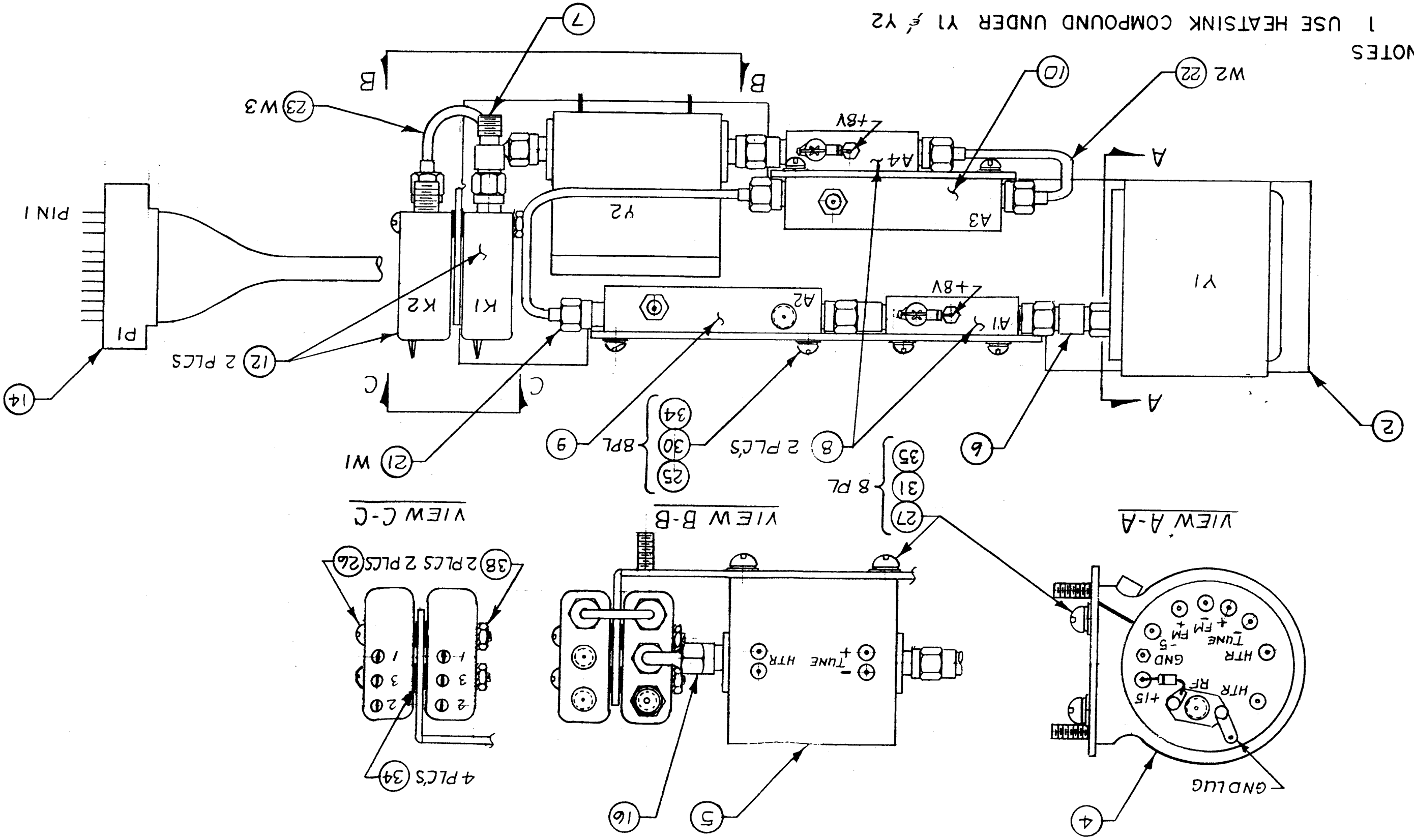
NOTE:
1. JUMPER W1 FITTED AS STANDARD. W2 & W3 ARE NOT INSTALLED.



NOTE :
 1. JUMPER W1 FITTED AS STANDARD • W2 & W3
 ARE NOT INSTALLED •

Figure 5-39. Timebase Divider A24 Schematic
 (Syston Donner No. 708317701)

Figure 5-40. 2 - 8 GHz Output Bracket A31
(Syston Donner No. 08320101)



NOTES

1 USE HEATSINK COMPOUND UNDER Y1 & Y2

NOTES:
 1. USE HEATSINK COMPOUND UNDER Y1

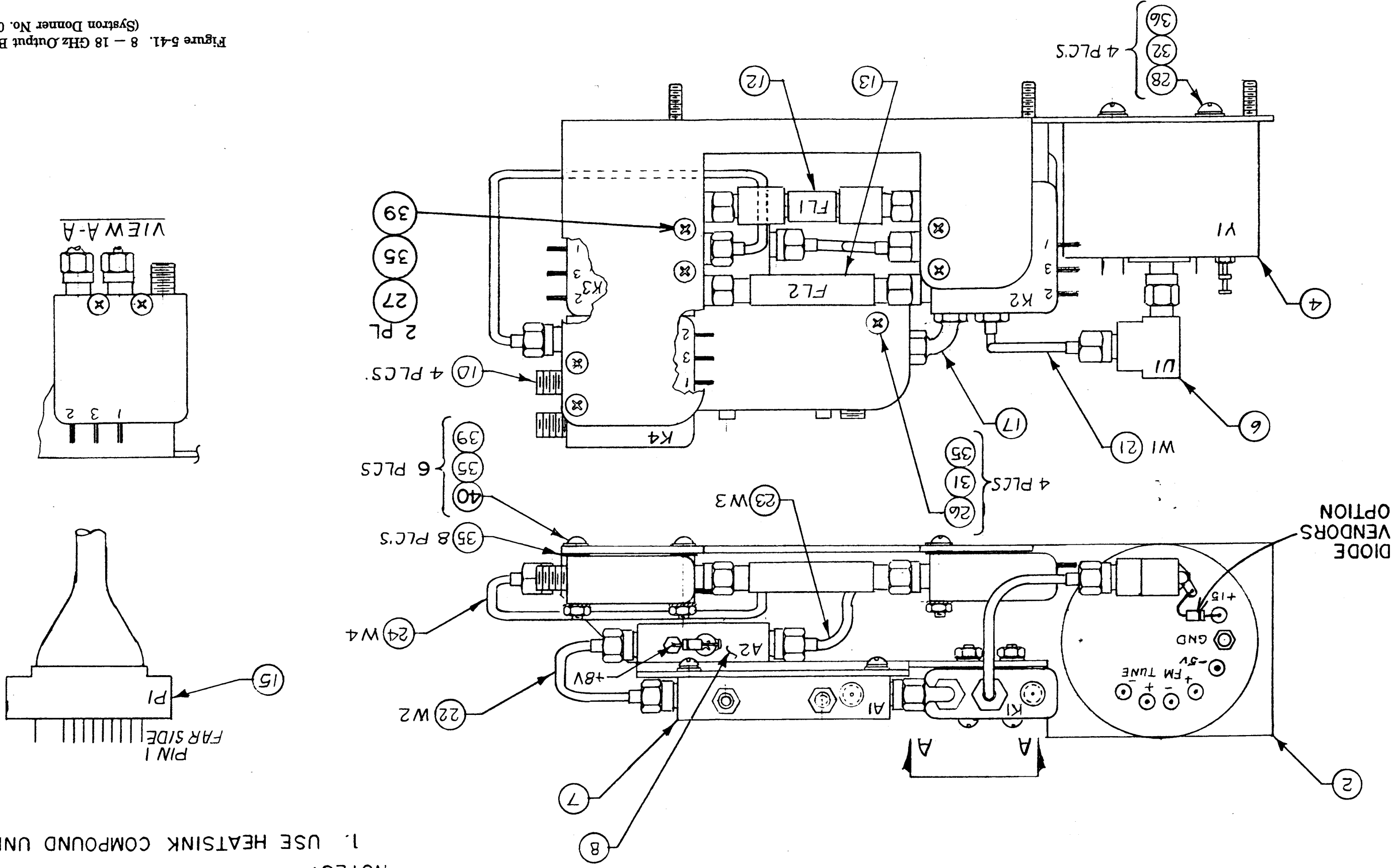


Figure 5-41. 8 - 18 GHz Output Bracket A32
 (Systrom Donner No. 08320201)

Figure 5-42. 2 - 8 GHz Reference Bracket A33
(Syston Donner No. 08320301)

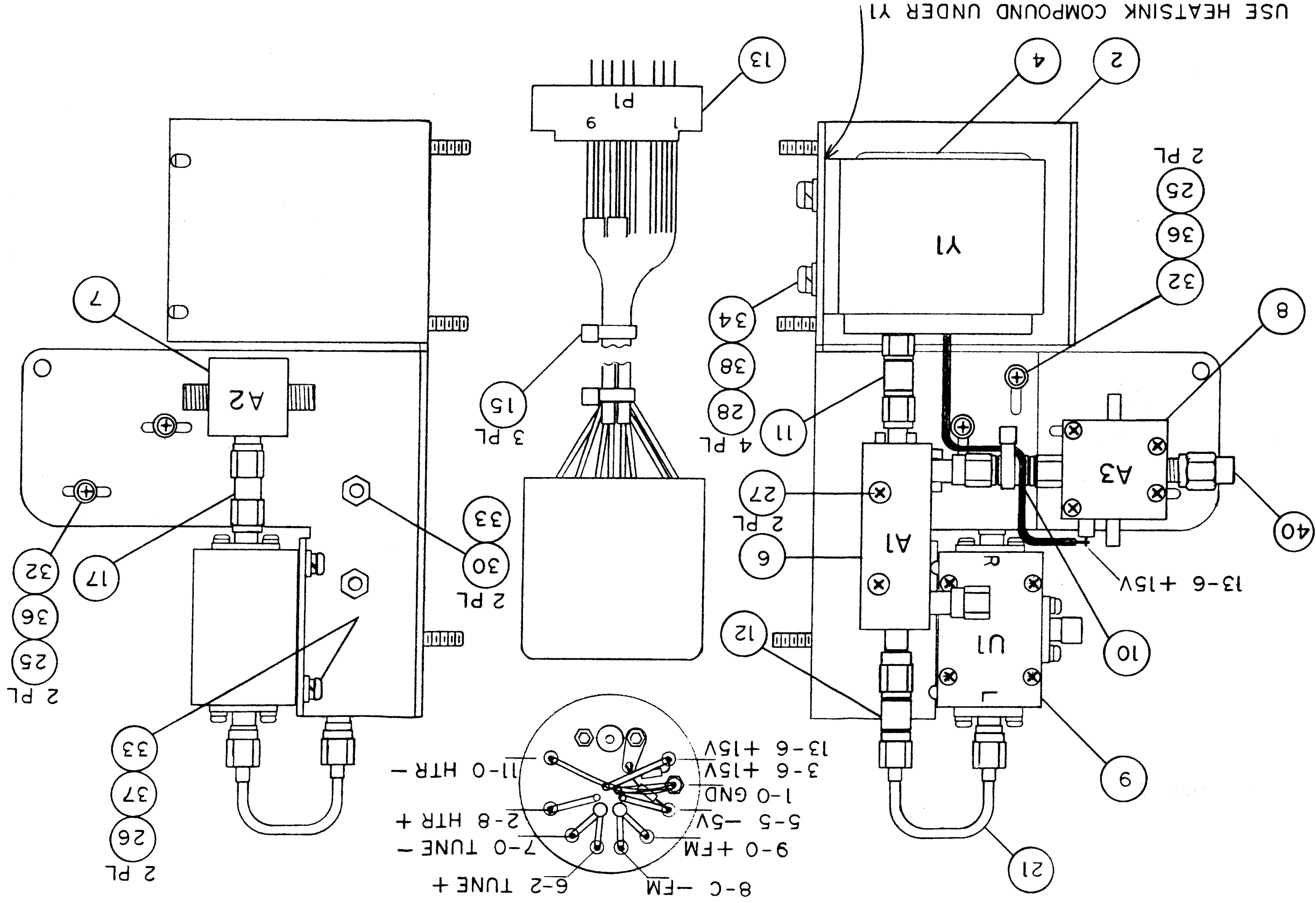
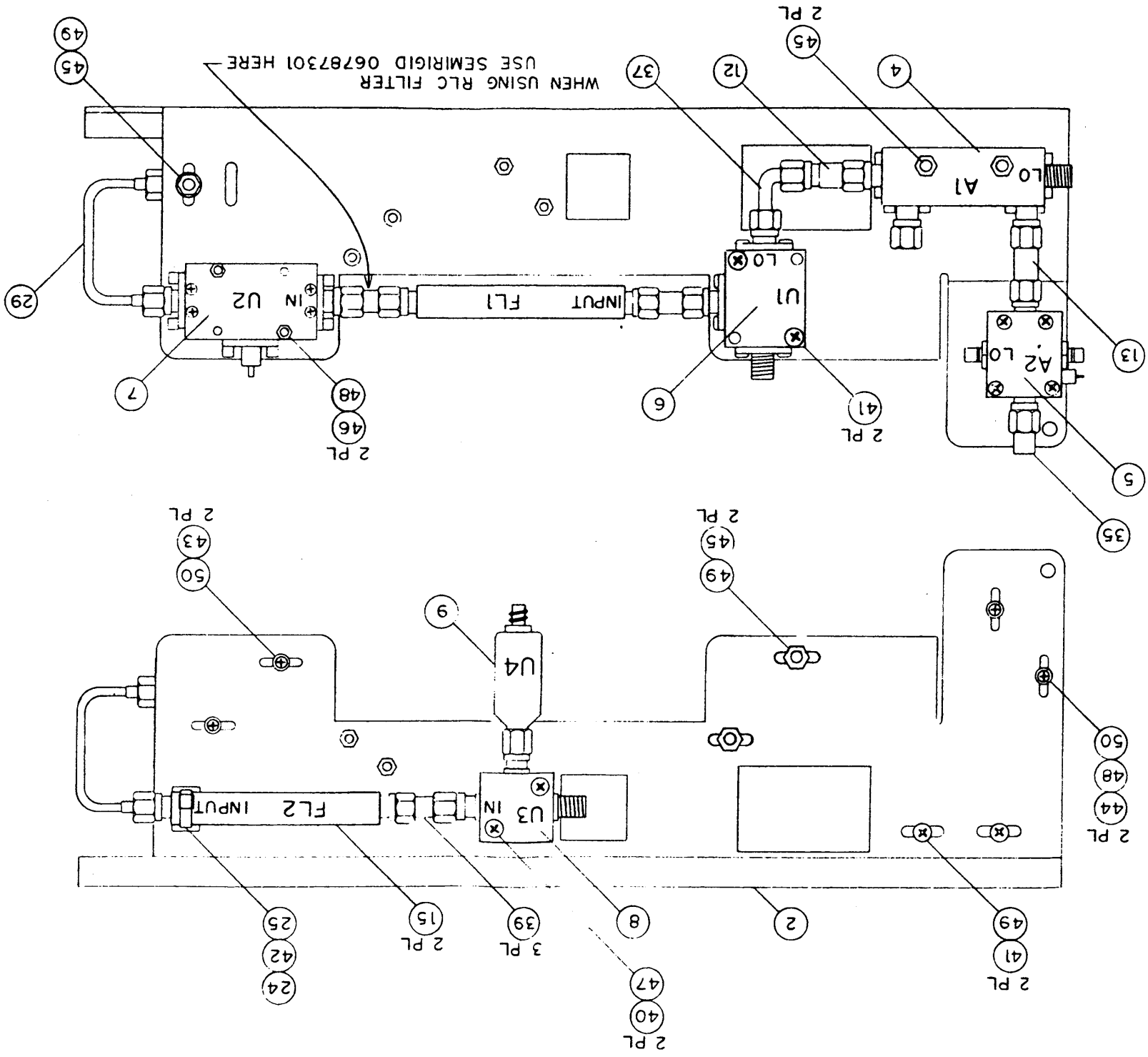
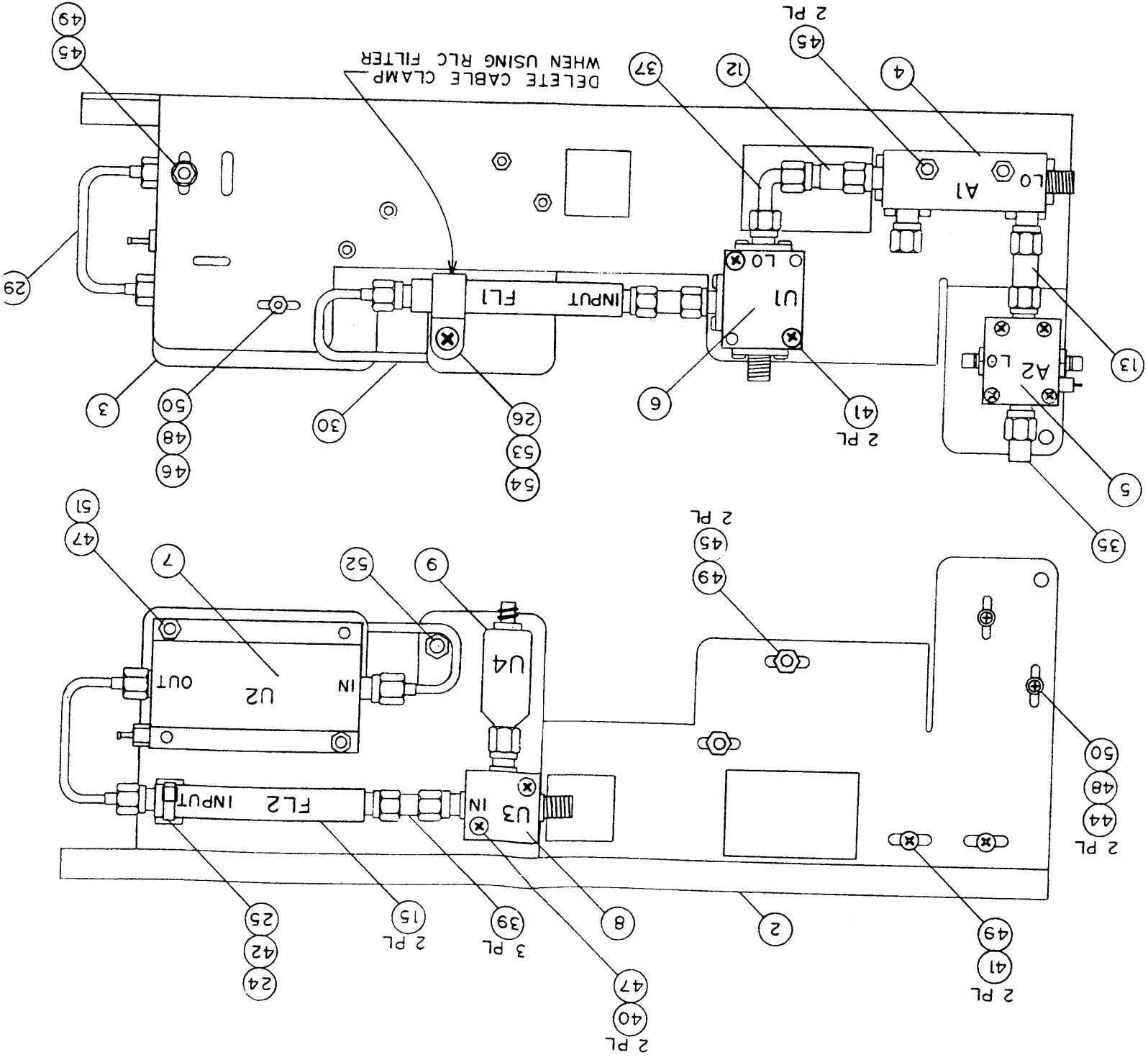


Figure 5-43. Downconverter Bracket A34 (Option 01)
(Syston Donner No. 08369801) (Sheet 1 of 2)



NOTE: 08369801 IS A DIRECT REPLACEMENT FOR 08369802.



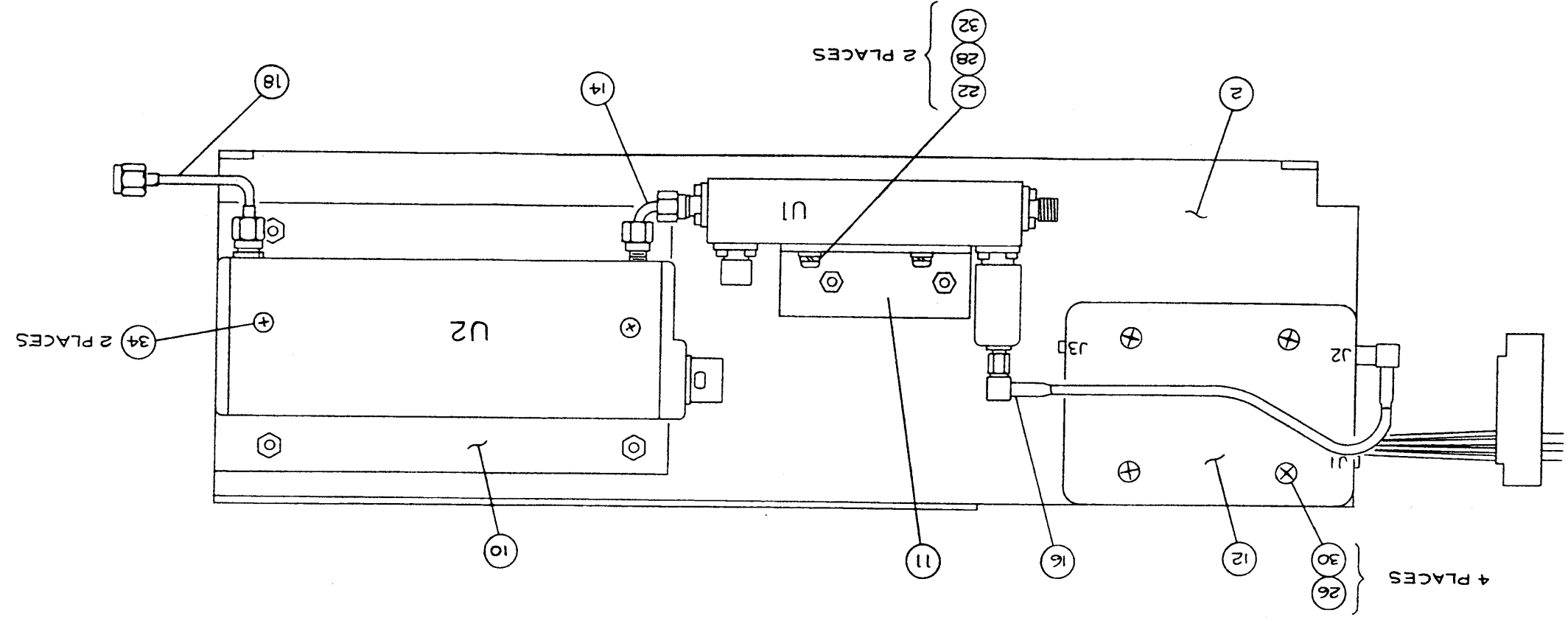
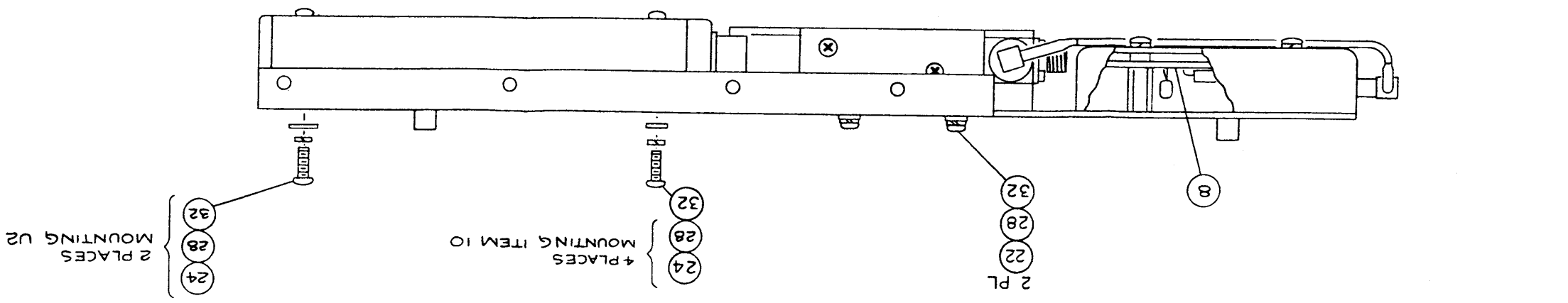


Figure 5-44. Front Output Bracket A35 (Standard)
 (Syston Donner No. 08320602)

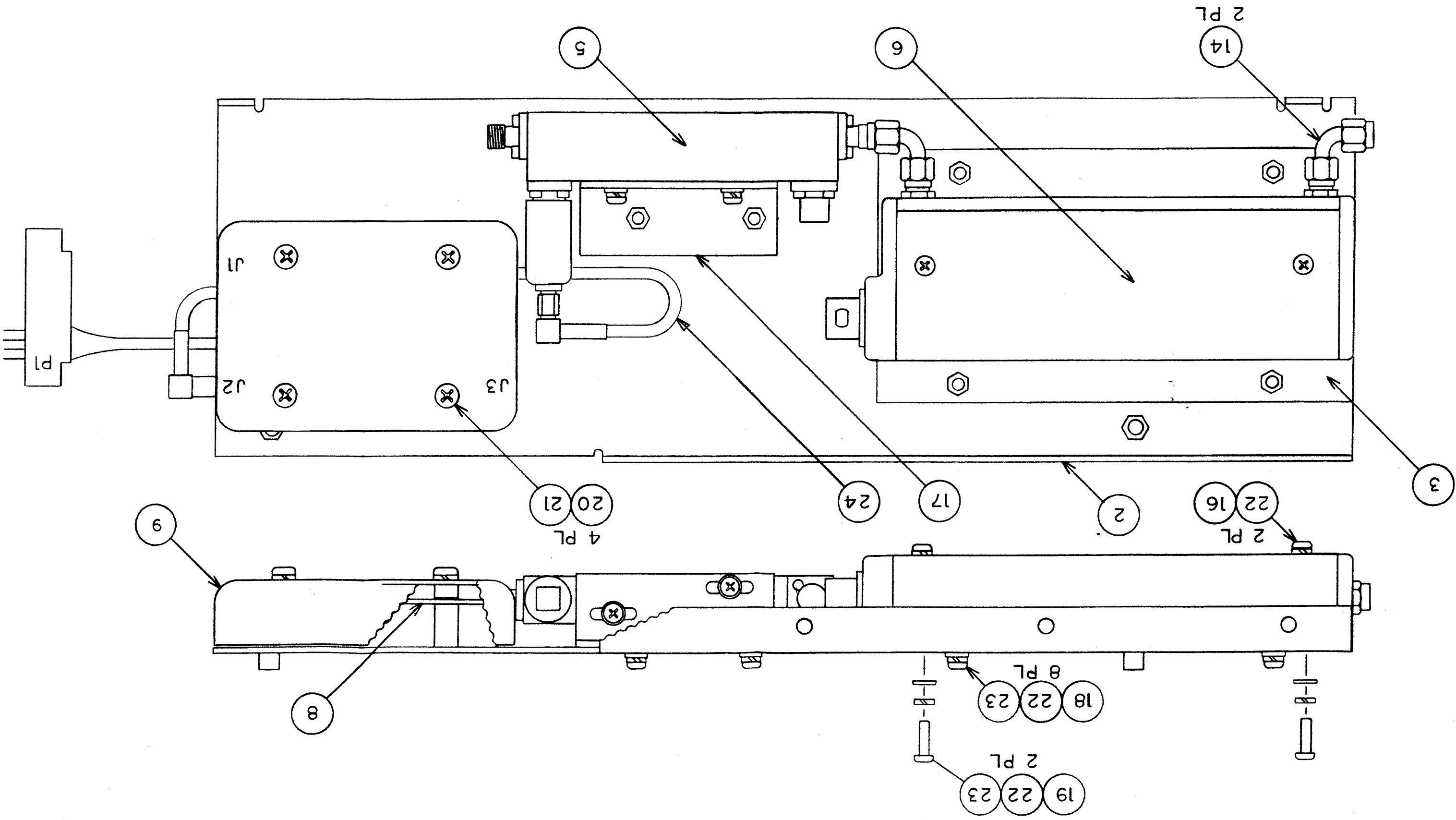


Figure 5-45. Rear Output Bracket A35 (Option 05)
 (Syston Donner No. 08320603)

Figure 5-46. Video Amplifier A35A1 P.C. Board Assembly (Syston Donner No. 08365001)

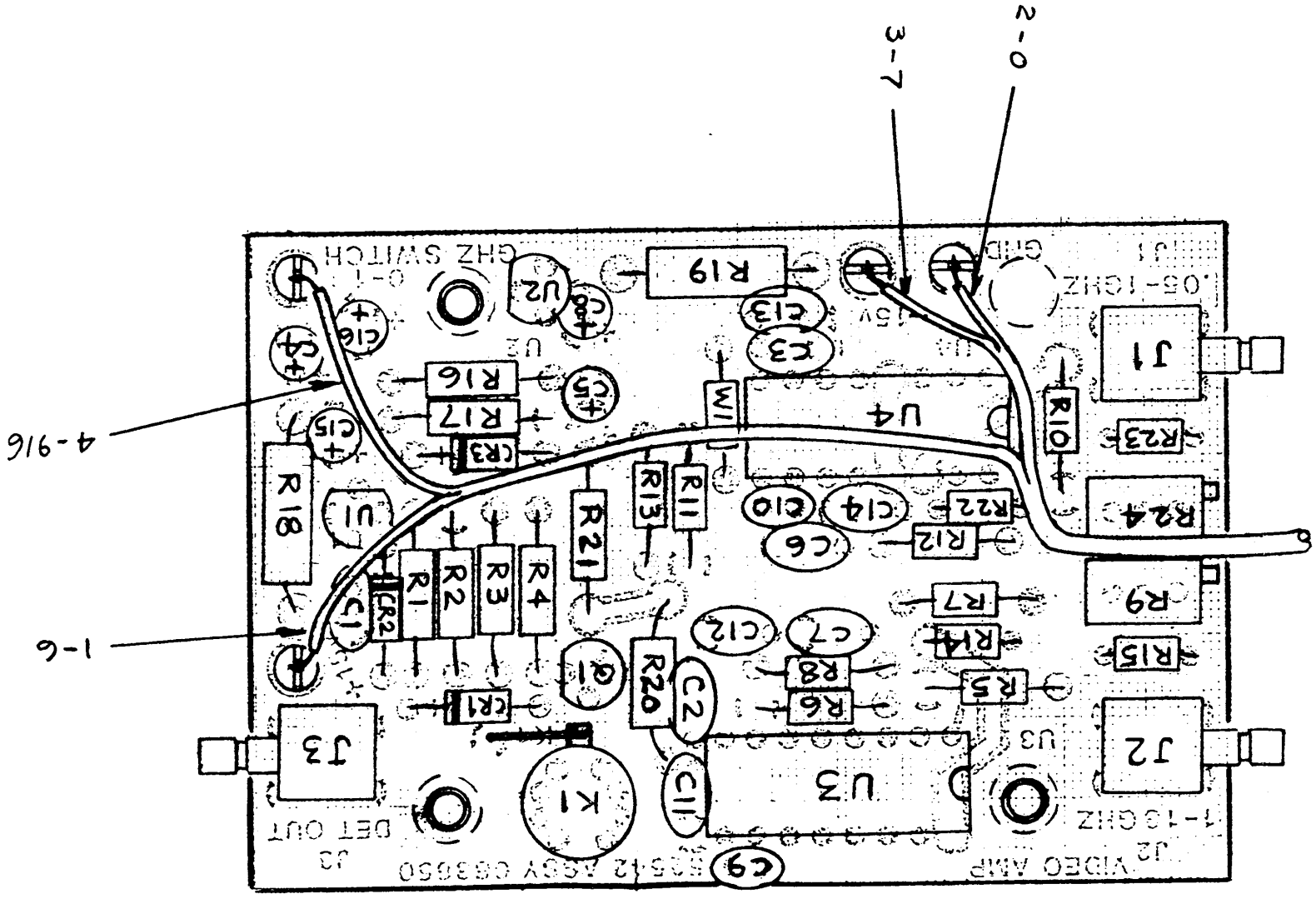
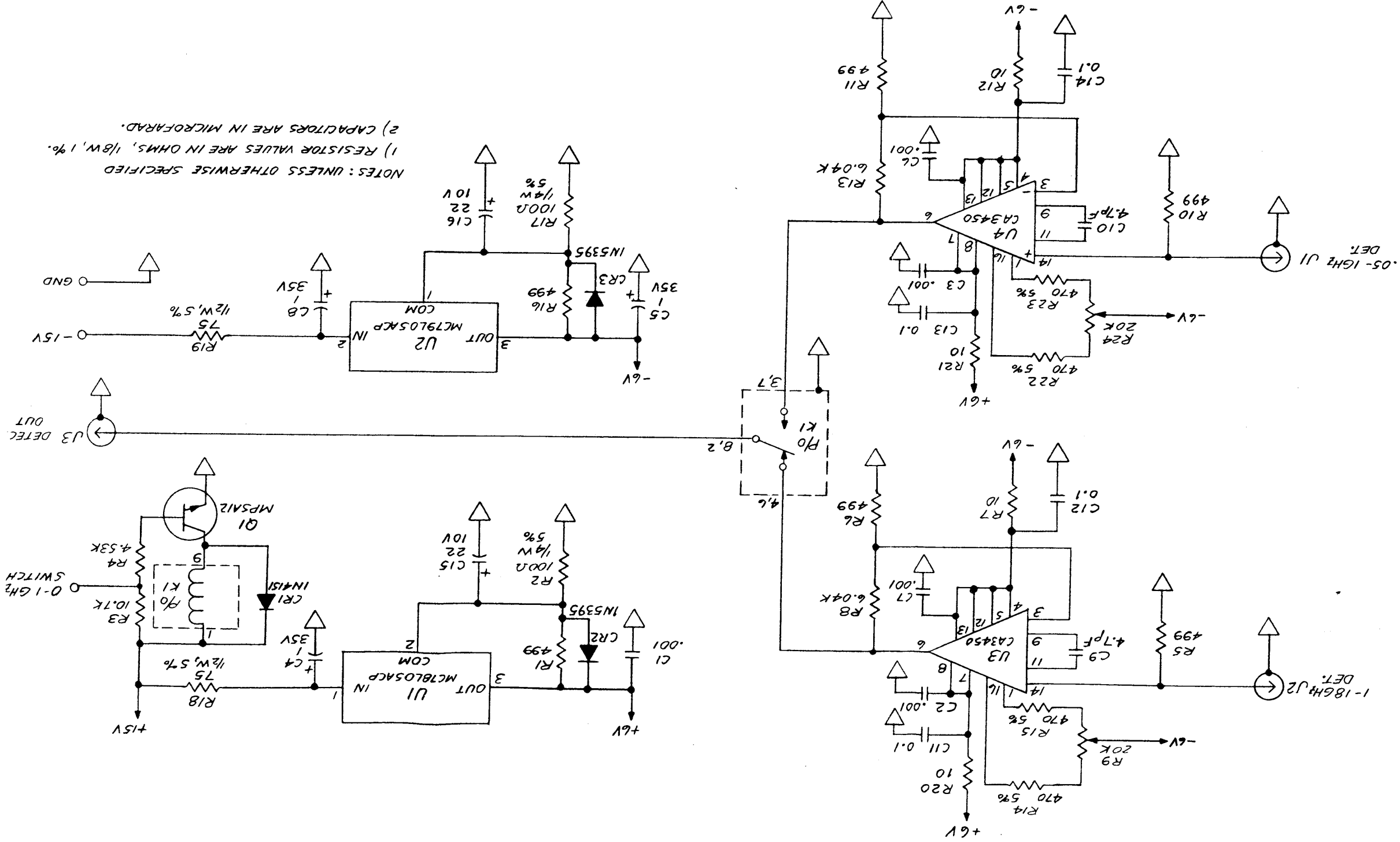
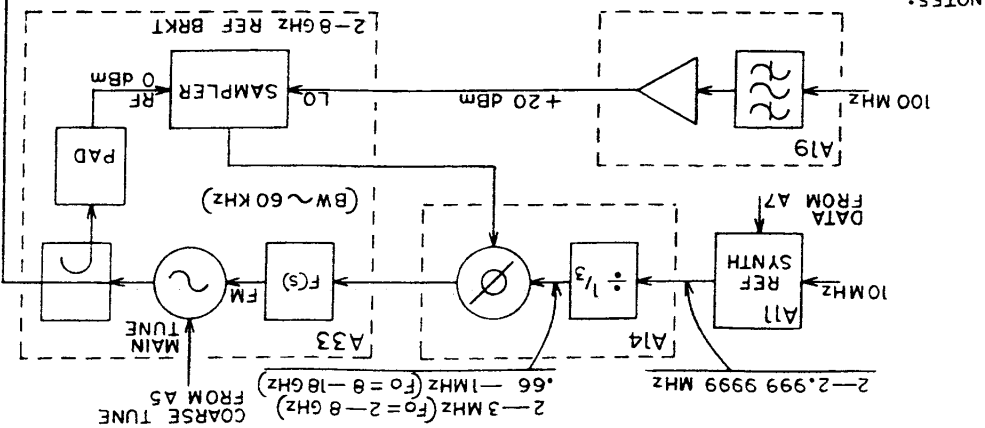


Figure 5-47. Video Amplifier A35A1 Schema
(Syston Donner No. 708365001)



FREQUENCY SYNTHESIS



NOTES:

1. REFERENCE OSCILLATOR FREQUENCY (A33)

$F_o = 0 - 8 \text{ GHz}$ COARSE STEPS 300 MHz

FINE STEPS 1 Hz

RANGE 1902-7602.999 9999 MHz

$F = [F_o - F_{A10}] \div 3$

RANGE 2600.66-5900.66 MHz

FINE STEPS 0.33 Hz

COARSE STEPS 100 MHz

$F_o = 8 - 18 \text{ GHz}$

2. 1 Hz RESOLUTION (STANDARD)

A11 OUTPUT 2-2.999 9999 MHz

A10 OUTPUT 9.8-39.7 MHz

A33 OUTPUT 1 MHz LOWER

($F_o = 0 - 8 \text{ GHz}$)

0.33 MHz LOWER

($F_o = 8 - 18 \text{ GHz}$)

3. VERNIER RANGE

-4.9 → +20 dbm (0 dB STEP)

-4.9 → +5 dbm (< 0 dB STEP)

-6.9 → +13 dbm (0 dB STEP)

-6.9 → +3 dbm (< 0 dB STEP)

(3 dBm UNITS)

(10 dBm UNITS)

OPT. 12

100 MHz

+20 dbm

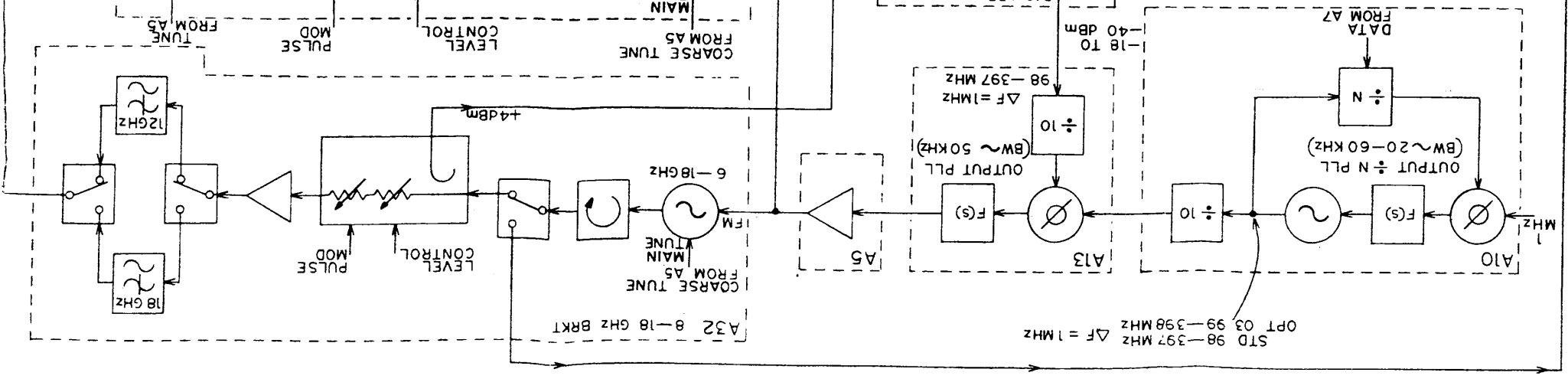
0 dbm

SAMPLER

LO

RF

PAD



STD 98-397 MHz $\Delta F = 1 \text{ MHz}$

OPT 03 99-398 MHz $\Delta F = 1 \text{ MHz}$

98-397 MHz $\Delta F = 1 \text{ MHz}$

98-397 MHz $\Delta F = 1 \text{ MHz}$

98-397 MHz $\Delta F = 1 \text{ MHz}$

98-397 MHz $\Delta F = 1 \text{ MHz}$

98-397 MHz $\Delta F = 1 \text{ MHz}$

98-397 MHz $\Delta F = 1 \text{ MHz}$

98-397 MHz $\Delta F = 1 \text{ MHz}$

98-397 MHz $\Delta F = 1 \text{ MHz}$

98-397 MHz $\Delta F = 1 \text{ MHz}$

98-397 MHz $\Delta F = 1 \text{ MHz}$

98-397 MHz $\Delta F = 1 \text{ MHz}$

98-397 MHz $\Delta F = 1 \text{ MHz}$

98-397 MHz $\Delta F = 1 \text{ MHz}$

98-397 MHz $\Delta F = 1 \text{ MHz}$

98-397 MHz $\Delta F = 1 \text{ MHz}$

98-397 MHz $\Delta F = 1 \text{ MHz}$

98-397 MHz $\Delta F = 1 \text{ MHz}$

98-397 MHz $\Delta F = 1 \text{ MHz}$

98-397 MHz $\Delta F = 1 \text{ MHz}$

98-397 MHz $\Delta F = 1 \text{ MHz}$

98-397 MHz $\Delta F = 1 \text{ MHz}$

98-397 MHz $\Delta F = 1 \text{ MHz}$

98-397 MHz $\Delta F = 1 \text{ MHz}$

98-397 MHz $\Delta F = 1 \text{ MHz}$

98-397 MHz $\Delta F = 1 \text{ MHz}$

98-397 MHz $\Delta F = 1 \text{ MHz}$

98-397 MHz $\Delta F = 1 \text{ MHz}$

98-397 MHz $\Delta F = 1 \text{ MHz}$

98-397 MHz $\Delta F = 1 \text{ MHz}$

SEE NOTE 1

+5 TO +10 dbm

X1, $F_o = 2 - 8 \text{ GHz}$

X3, $F_o = 8 - 18 \text{ GHz}$

+4dbm

2-8 GHz

2-8 GHz

2-8 GHz

2-8 GHz

2-8 GHz

2-8 GHz

2-8 GHz

2-8 GHz

2-8 GHz

2-8 GHz

2-8 GHz

2-8 GHz

2-8 GHz

2-8 GHz

2-8 GHz

2-8 GHz

2-8 GHz

2-8 GHz

2-8 GHz

2-8 GHz

2-8 GHz

2-8 GHz

2-8 GHz

2-8 GHz

2-8 GHz

2-8 GHz

2-8 GHz

6.005 GHz

A34 DOWNCONVERTER

-25 → -10 dbm

+10 dbm

0 dbm

0 dbm

0 dbm

0 dbm

0 dbm

0 dbm

0 dbm

0 dbm

0 dbm

0 dbm

0 dbm

0 dbm

0 dbm

0 dbm

0 dbm

0 dbm

0 dbm

0 dbm

0 dbm

0 dbm

0 dbm

0 dbm

0 dbm

0 dbm

0 dbm

0 dbm

0 dbm

0 dbm

50-995 MHz

50-995 MHz

50-995 MHz

50-995 MHz

50-995 MHz

50-995 MHz

50-995 MHz

50-995 MHz

50-995 MHz

50-995 MHz

50-995 MHz

50-995 MHz

50-995 MHz

50-995 MHz

50-995 MHz

50-995 MHz

50-995 MHz

50-995 MHz

50-995 MHz

50-995 MHz

50-995 MHz

50-995 MHz

50-995 MHz

50-995 MHz

50-995 MHz

50-995 MHz

50-995 MHz

50-995 MHz

50-995 MHz

50-995 MHz

50-995 MHz

50-995 MHz

100 MHz

100 MHz

100 MHz

100 MHz

100 MHz

100 MHz

100 MHz

100 MHz

100 MHz

100 MHz

100 MHz

100 MHz

100 MHz

100 MHz

100 MHz

100 MHz

100 MHz

100 MHz

100 MHz

100 MHz

100 MHz

100 MHz

100 MHz

100 MHz

100 MHz

100 MHz

100 MHz

100 MHz

100 MHz

100 MHz

100 MHz

100 MHz

10 MHz

10 MHz

10 MHz

10 MHz

10 MHz

10 MHz

10 MHz

10 MHz

10 MHz

10 MHz

10 MHz

10 MHz

10 MHz

10 MHz

10 MHz

10 MHz

10 MHz

10 MHz

10 MHz

10 MHz

10 MHz

10 MHz

10 MHz

10 MHz

10 MHz

10 MHz

10 MHz

10 MHz

10 MHz

10 MHz

10 MHz

10 MHz

10 MHz

10 MHz

10 MHz

10 MHz

10 MHz

10 MHz

10 MHz

10 MHz

10 MHz

10 MHz

10 MHz

10 MHz

10 MHz

10 MHz

10 MHz

10 MHz

10 MHz

10 MHz

10 MHz

10 MHz

10 MHz

10 MHz

10 MHz

10 MHz

10 MHz

10 MHz

10 MHz

10 MHz

10 MHz

10 MHz

10 MHz

10 MHz

10 MHz

10 MHz

10 MHz

10 MHz

10 MHz

10 MHz

10 MHz

10 MHz

10 MHz

10 MHz

10 MHz

10 MHz

10 MHz

10 MHz

10 MHz

10 MHz

10 MHz

10 MHz

10 MHz

10 MHz

10 MHz

10 MHz

10 MHz

10 MHz

10 MHz

10 MHz